

nexperia

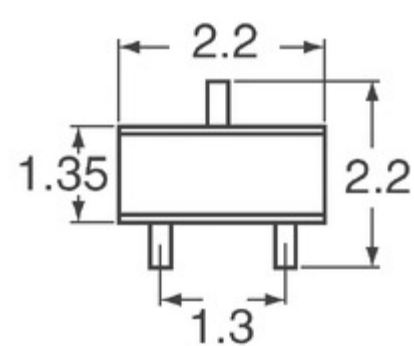


Image may be representation.
See specs for product details.

PDTA115TU,115

Manufacturer Part Number:	PDTA115TU,115
Manufacturer/Brand:	Nexperia
Part of Description:	TRANS PREBIAS PNP 200MW SOT323
Datasheets:	PDTA115TU,115.pdf
RoHs Status:	Lead free / RoHS
Stock Condition:	Compliant New original, 2505 pcs Stock Available.
Ship From:	Hong Kong
Shipment Way:	DHL/Fedex/TNT/UPS/EMS

Specifications

Part Number	PDTA115TU,115
Manufacturer	Nexperia
Description	TRANS PREBIAS PNP 200MW SOT323
Category	Discrete Semiconductor Products > Transistors - Bipolar
Part Status	2505 pcs Stock
Voltage - Collector Emitter Breakdown (Max)	50V
Vce Saturation (Max) @ Ib, Ic	150mV @ 250µA, 5mA
Transistor Type	PNP - Pre-Biased
Supplier Device Package	SOT-323-3
Series	-
Resistor - Emitter Base (R2) (Ohms)	-
Resistor - Base (R1) (Ohms)	100k
Power - Max	200mW
Packaging	Tape & Reel (TR)
Package / Case	SC-70, SOT-323
Mounting Type	Surface Mount
Frequency - Transition	-
DC Current Gain (hFE) (Min) @ Ic, Vce	100 @ 1mA, 5V
Current - Collector Cutoff (Max)	1µA
Current - Collector (Ic) (Max)	100mA

You May Be Also Be interested

In:

 PDTA123EE NXP PDTA123EE NXP	 PDTA115TT NXP PDTA115TT NXP	 PDTA123EE,115 NXP USA Inc. TRANS PREBIAS PNP 150MW SC75	 PDTA115TU NXP PDTA115TU NXP
 PDTA123EK,115 NXP USA Inc. TRANS PREBIAS PNP 250MW SMT3	 PDTA115TS,126 NXP USA Inc. TRANS PREBIAS PNP 500MW TO92-3	 PDTA123EK NXP PDTA123EK NXP	 PDTA115TT,215 Nexperia USA Inc. TRANS PREBIAS PNP 250MW TO236AB

PDTA115TU,115 Related keyword

More

PDTA115TU,115 Nexperia	PDTA115TU,115 Data Sheet	PDTA115TU,115 Datasheets	PDTA115TU,115 PDF	Nexperia PDTA115TU,115
PDTA115TU,115 Electronic	PDTA115TU,115 Components	PDTA115TU,115 Distributor	PDTA115TU,115 Image	PDTA115TU,115 Part
PDTA115TU,115 Price	PDTA115TU,115 Manufacturer	PDTA115TU,115 Picture	PDTA115TU,115 Stock	PDTA115TU,115 Inventory
PDTA115TU,115 New	PDTA115TU,115 Original	PDTA115TU,115 Warranted	PDTA115TU,115 RFQ	PDTA115TU,115 Order Online

Contact us: Info@YIC-Electronics.com

ADD:Unit A5-B5 No.509, 5/F Sing Win Factory Building, 15-17 Shing yip St, Kwun Tong, Kowloon, HongKong.

Copyright © 2024 YIC-Electronics.com - YIC International Co., Limited