

Panasonic

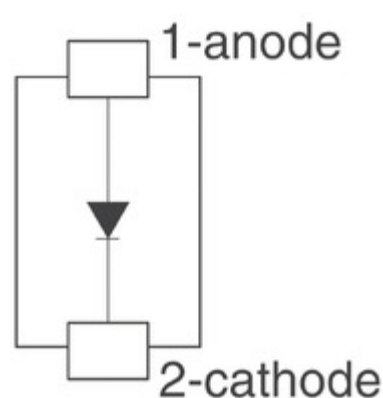


Image may be representation.
See specs for product details.

MA27P1100L

Manufacturer Part Number:	MA27P1100L
Manufacturer/Brand:	Panasonic
Part of Description:	DIODE PIN 60V 50MA SSSMINI-2P
Datasheets:	MA27P1100L.pdf
RoHS Status:	Lead free / RoHS
Stock Condition:	Compliant New original, 2584 pcs Stock Available.
Ship From:	Hong Kong
Shipment Way:	DHL/Fedex/TNT/UPS/EMS

Specifications

Part Number	MA27P1100L
Manufacturer	Panasonic
Description	DIODE PIN 60V 50MA SSSMINI-2P
Category	Discrete Semiconductor Products > Diodes - RF
Part Status	2584 pcs Stock
Voltage - Peak Reverse (Max)	60V
Supplier Device Package	SSSMINI2-F2
Series	-
Resistance @ If, F	1.5 Ohm @ 10mA, 100MHz
Power Dissipation (Max)	-
Packaging	Tape & Reel (TR)
Package / Case	2-SMD, Flat Lead
Operating Temperature	150°C (TJ)
Diode Type	PIN - Single
Current - Max	50mA
Capacitance @ Vr, F	0.8pF @ 0V, 1MHz

You May Be Also Be interested

<p>In:</p> <p>MA27P1200L PANANON MA27P1200L PANANON</p>	<p>MA27P0100L Panasonic Electronic Components DIODE PIN 60V 100MA SSS MINI-2P</p>	<p>MA27P010GL Panasonic Electronic Components DIODE PIN 60V 100MA SSSMINI-2P</p>	<p>MA27T-A Original DO-35</p>
<p>MA27E0200L Panasonic Electronic Components DIODE SCHOTTKY 20V 35MA SSSMINI2</p>	<p>MA27V0200 PANASONIC PANASONIC SOD-723</p>	<p>MA27V010P1SA PANASOIC MA27V010P1SA PANASOIC</p>	<p>MA27P0200L Panasonic Electronic Components DIODE PIN 60V 100MA SSS MINI-2P</p>

MA27P1100L Related keyword

More

MA27P1100L Panasonic	MA27P1100L Data Sheet	MA27P1100L Datasheets	MA27P1100L PDF	Panasonic MA27P1100L
MA27P1100L Electronic	MA27P1100L Components	MA27P1100L Distributor	MA27P1100L Image	MA27P1100L Part
MA27P1100L Price	MA27P1100L Manufacturer	MA27P1100L Picture	MA27P1100L Stock	MA27P1100L Inventory
MA27P1100L New	MA27P1100L Original	MA27P1100L Warranted	MA27P1100L RFQ	MA27P1100L Order Online

Contact us: Info@YIC-Electronics.com

ADD:Unit A5-B5 No.509, 5/F Sing Win Factory Building, 15-17 Shing yip St, Kwun Tong, Kowloon, HongKong.

Copyright © 2023 YIC-Electronics.com - YIC International Co., Limited