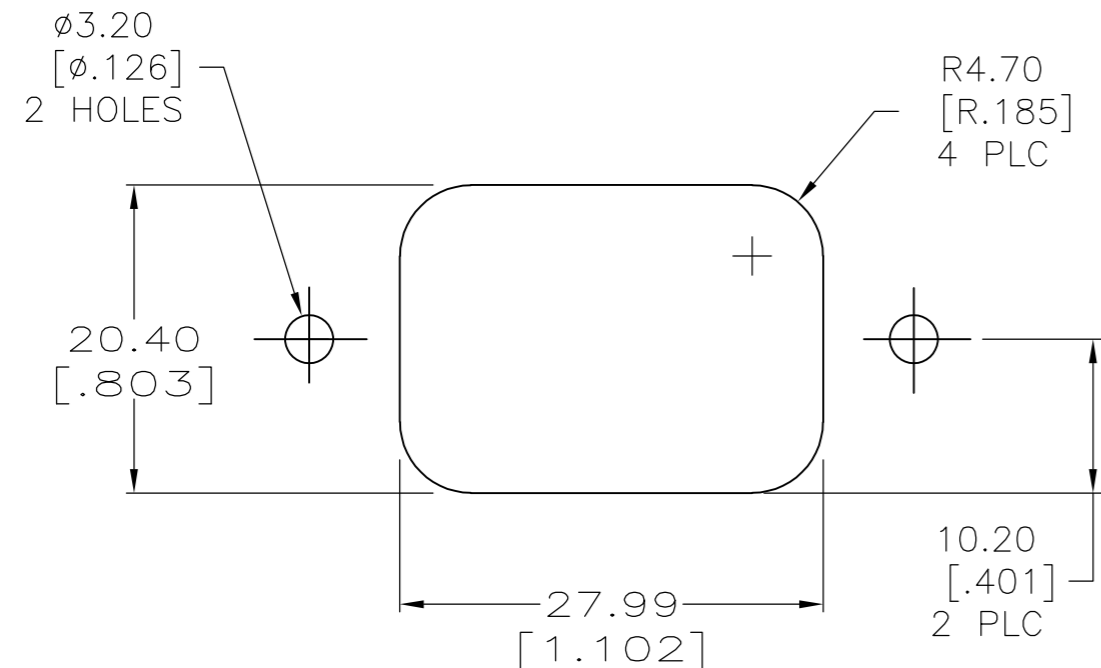
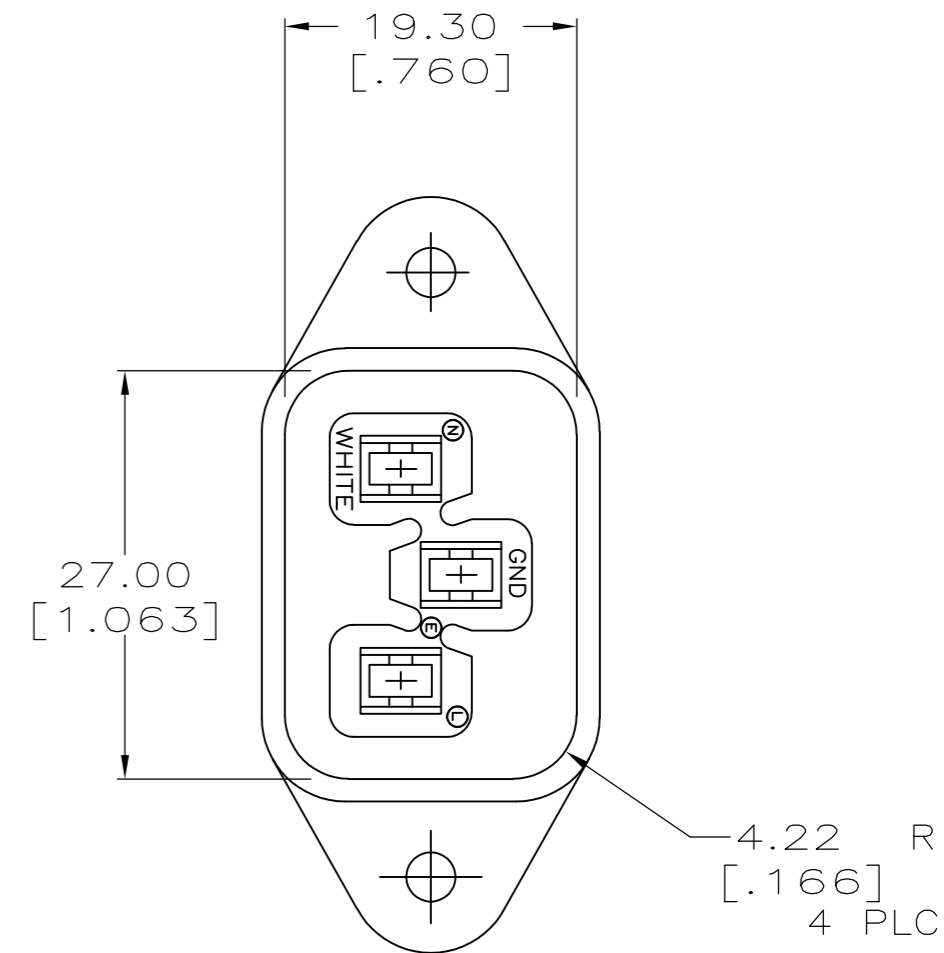
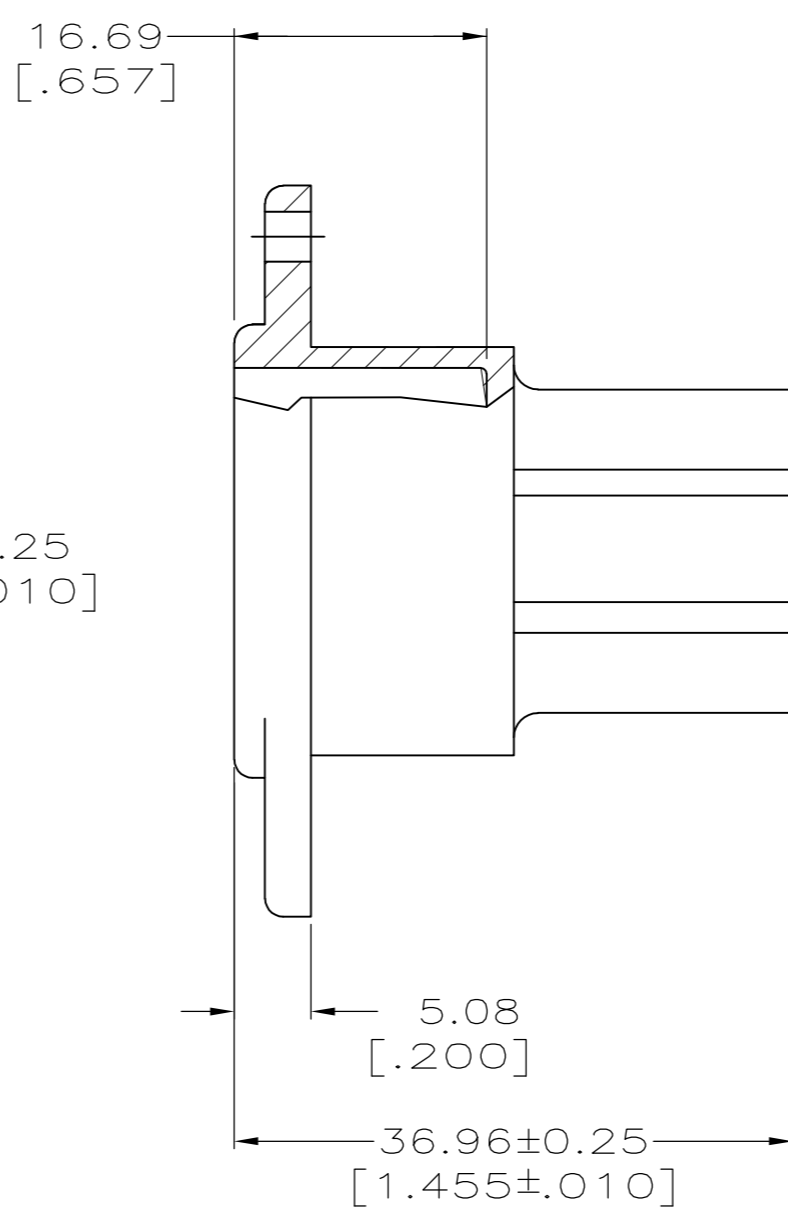
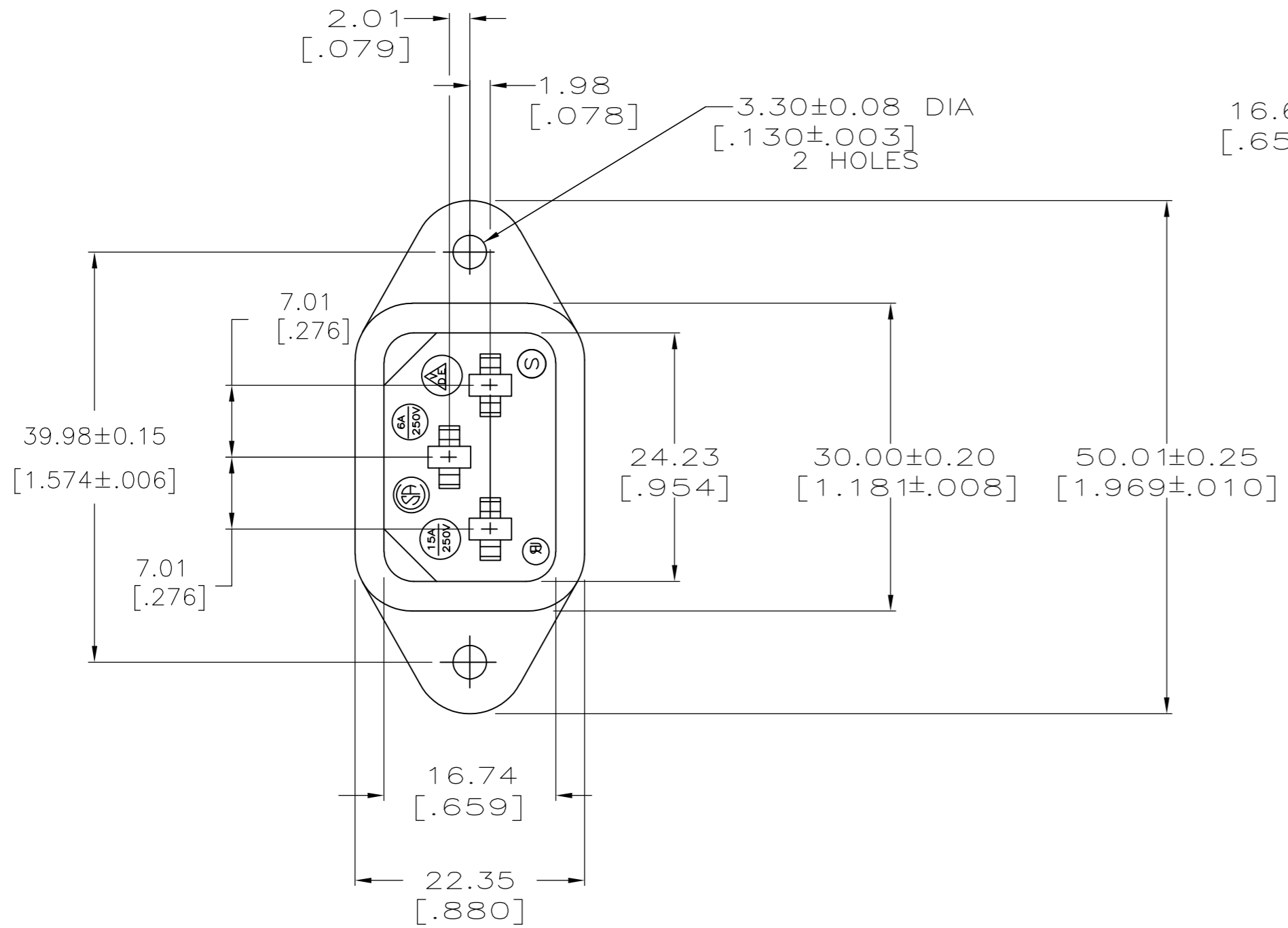


THIS DRAWING IS UNPUBLISHED. RELEASED FOR PUBLICATION  
 © COPYRIGHT - By - ALL RIGHTS RESERVED.

LOC	DIST	REVISIONS			
P	LTR	DESCRIPTION	DATE	DWN	APVD
FT	0	M1	REVISED PER ECO-11-005027	11MAR11	RK HMR



RECOMMENDED PANEL OPENING

1 MATERIAL: PLYESTER, UL94V-0 RATED, GLASS FILLED, BLACK.

THIS DRAWING IS A CONTROLLED DOCUMENT.		DWN H.MOLL 04-18-91	<b>TE</b> TE Connectivity	
DIMENSIONS: mm		CHK R.STONE 05-09-91		
TOLERANCES UNLESS OTHERWISE SPECIFIED:		APVD -	NAME	
0 PLC ± -	1 PLC ± -	PRODUCT SPEC -	RECEPTACLE, POWER CORD	
2 PLC ± 0.13[.005]	3 PLC ± -	APPLICATION SPEC -	SIZE A2	CAGE CODE 00779
4 PLC ± -	ANGLES ± -	FINISH -	DRAWING NO C=206637	RESTRICTED TO -
MATERIAL -	FINISH -	WEIGHT -	SCALE 2:1	SHEET 1 of 1
CUSTOMER DRAWING			REV M1	

206637-1  
PART NUMBER