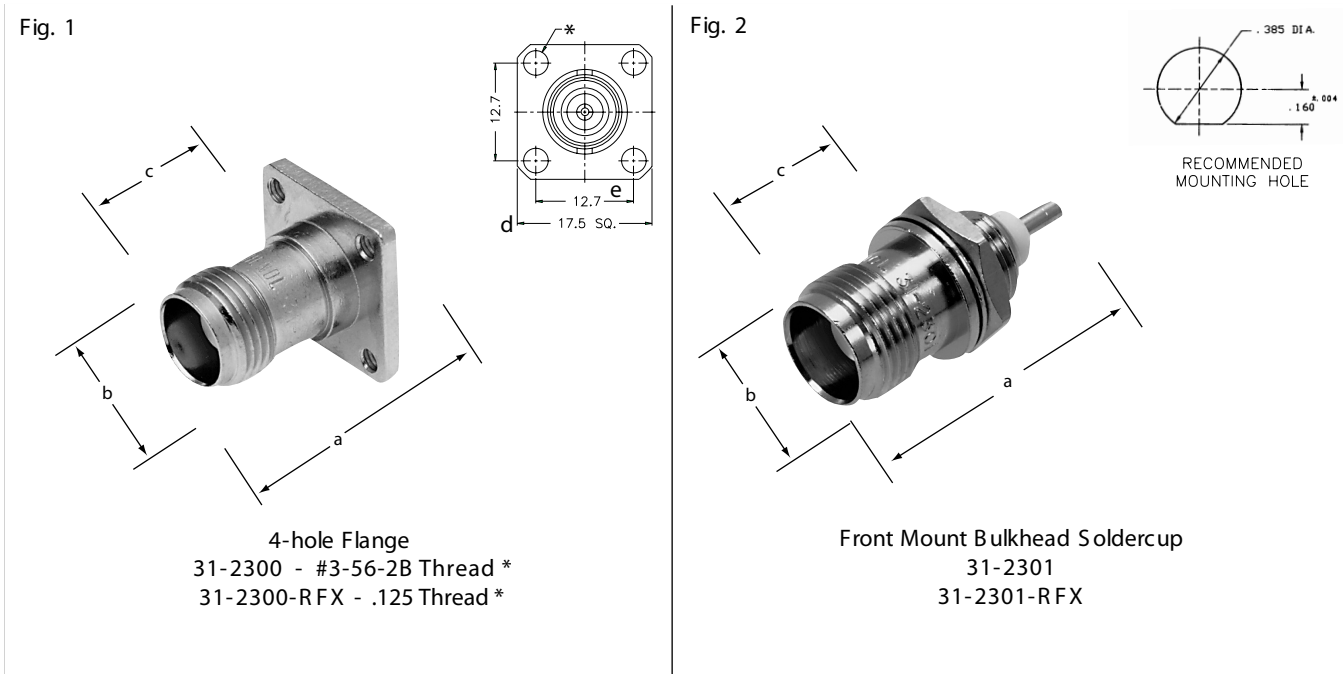


TNC Receptacles



TNC BULKHEAD RECEPTACLES

Description	Dimensions, inches (millimeters)					Plt.	Ins.	Amphenol	Fig.
	a	b	c	d	e				
4-hole flange	1.06	.430	.500	.687	.500	P7	D1	31-2300	1
4-hole flange	1.06	.430	.500	.688	.500	P7	D1	31-2300-RFX	1
Front mount blkh Soldercup	1.06	.500	.423	—	—	P7	D1	31-2301	2
Front mount blkh Soldercup	1.06	.500	.425	—	—	P7	D23	31-2301-RFX	2