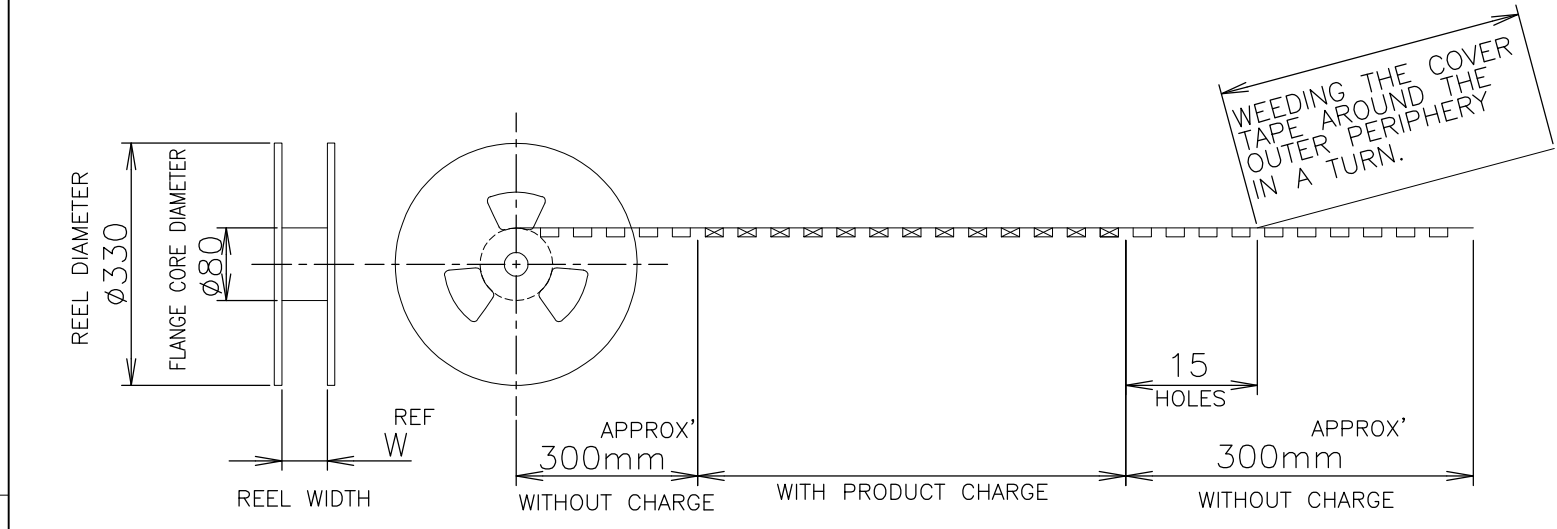
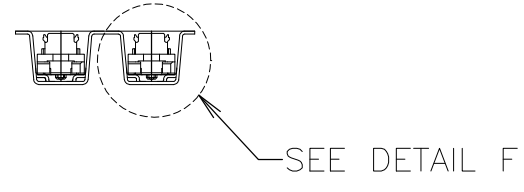
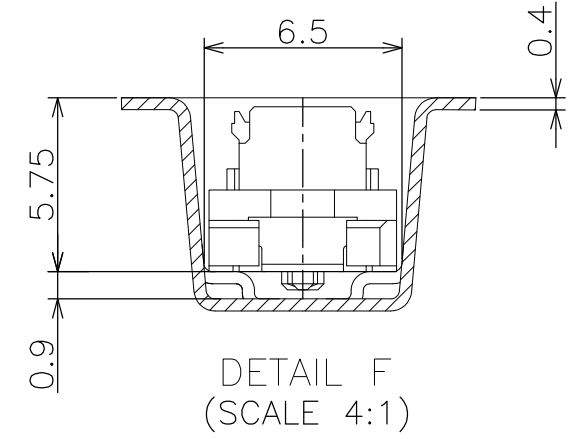
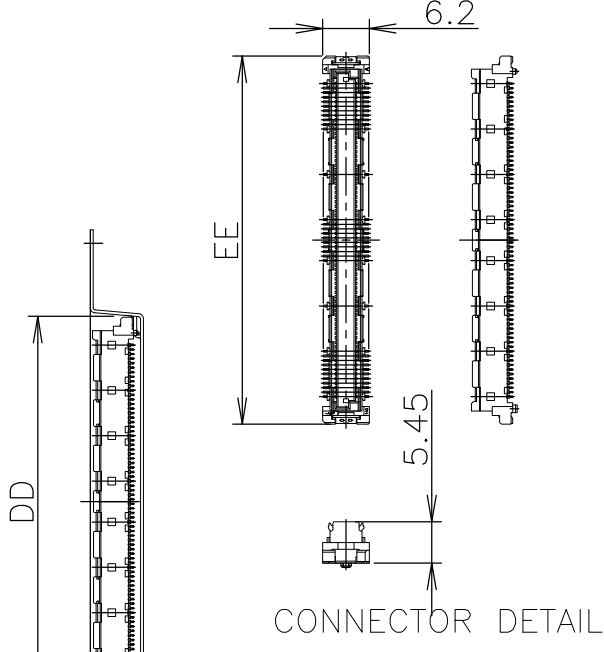
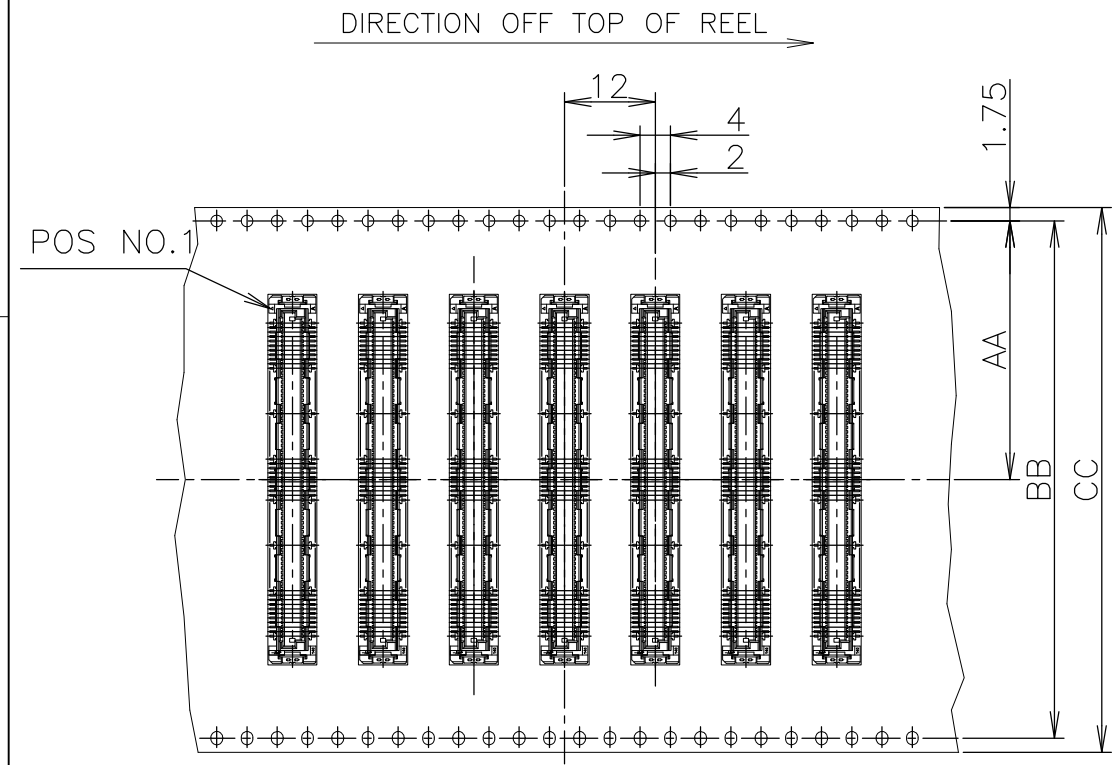


THIS DRAWING IS UNPUBLISHED. RELEASED FOR PUBLICATION JUN , 1996.
 © COPYRIGHT 1996 BY TYCO ELECTRONICS CORPORATION. ALL RIGHTS RESERVED.

LOC	DIST	REVISIONS					
		P	LTR	DESCRIPTION	DATE	DWN	APVD
J		B		REVISED ECR-08-000339	01FEB08	T.T	T.F



SEALANT	TOOLING STATUS	QTY.	W	EE	DD	CC	BB	AA	POS.	PART NO.
NOT AVAILABLE	800	77.5	54.7	55	72	68.4	34.2	160	6-5353185-1	
AVAILABLE	↑	77.5	48.7	49	72	68.4	34.2	140	6-↑ -0	
NOT AVAILABLE		61.5	42.7	43	56	52.4	26.2	120	5- -9	
NOT AVAILABLE		61.5	36.7	37	56	52.4	26.2	100	5- -8	
NOT AVAILABLE		61.5	33.7	34	56	52.4	26.2	90	5- -7	
NOT AVAILABLE		49.5	30.7	31	44	40.4	20.2	80	5- -6	
AVAILABLE	Ⓐ	49.5	27.7	28	44	40.4	20.2	70	5- -5	
NOT AVAILABLE		49.5	24.7	25	44	40.4	20.2	60	5- -4	
NOT AVAILABLE		37.5	21.7	22	32	28.4	14.2	50	5- -3	
NOT AVAILABLE		37.5	18.7	19	32	28.4	14.2	40	5- -2	
NOT AVAILABLE	800	29.5	15.7	16	24	—	11.5	30	5-5353185-1	
NON SEALANT	NON SEALANT	NON SEALANT	NON SEALANT	NON SEALANT	NON SEALANT	NON SEALANT	NON SEALANT	NON SEALANT	NON SEALANT	NON SEALANT
NOT AVAILABLE	800	77.5	54.7	55	72	68.4	34.2	160	1-5353185-1	
AVAILABLE	↑	77.5	48.7	49	72	68.4	34.2	140	1-↑ -0	
NOT AVAILABLE		61.5	42.7	43	56	52.4	26.2	120	-9	
AVAILABLE		61.5	36.7	37	56	52.4	26.2	100	-8	
NOT AVAILABLE		61.5	33.7	34	56	52.4	26.2	90	-7	
NOT AVAILABLE		49.5	30.7	31	44	40.4	20.2	80	-6	
AVAILABLE		49.5	27.7	28	44	40.4	20.2	70	-5	
NOT AVAILABLE		49.5	24.7	25	44	40.4	20.2	60	-4	
AVAILABLE		37.5	21.7	22	32	28.4	14.2	50	-3	
NOT AVAILABLE		37.5	18.7	19	32	28.4	14.2	40	-2	
NOT AVAILABLE	800	29.5	15.7	16	24	—	11.5	30	5353185-1	

THIS DRAWING IS A CONTROLLED DOCUMENT.

DWN LEO ZHOU 14DEC04
 CHK STEVEN YAO 14DEC04
 APVD I.ENOMOTO 14DEC04

NAME 名称
 Tyco Electronics Corporation
 Kawasaki, Japan

PRODUCT SPEC
 製品規格
 108-60047

APPLICATION SPEC
 取付適用規格
 114-5255

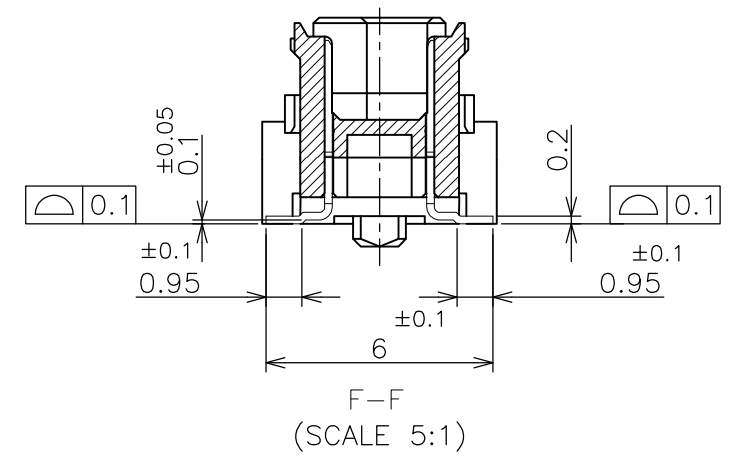
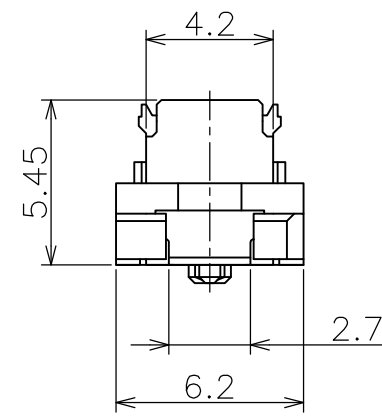
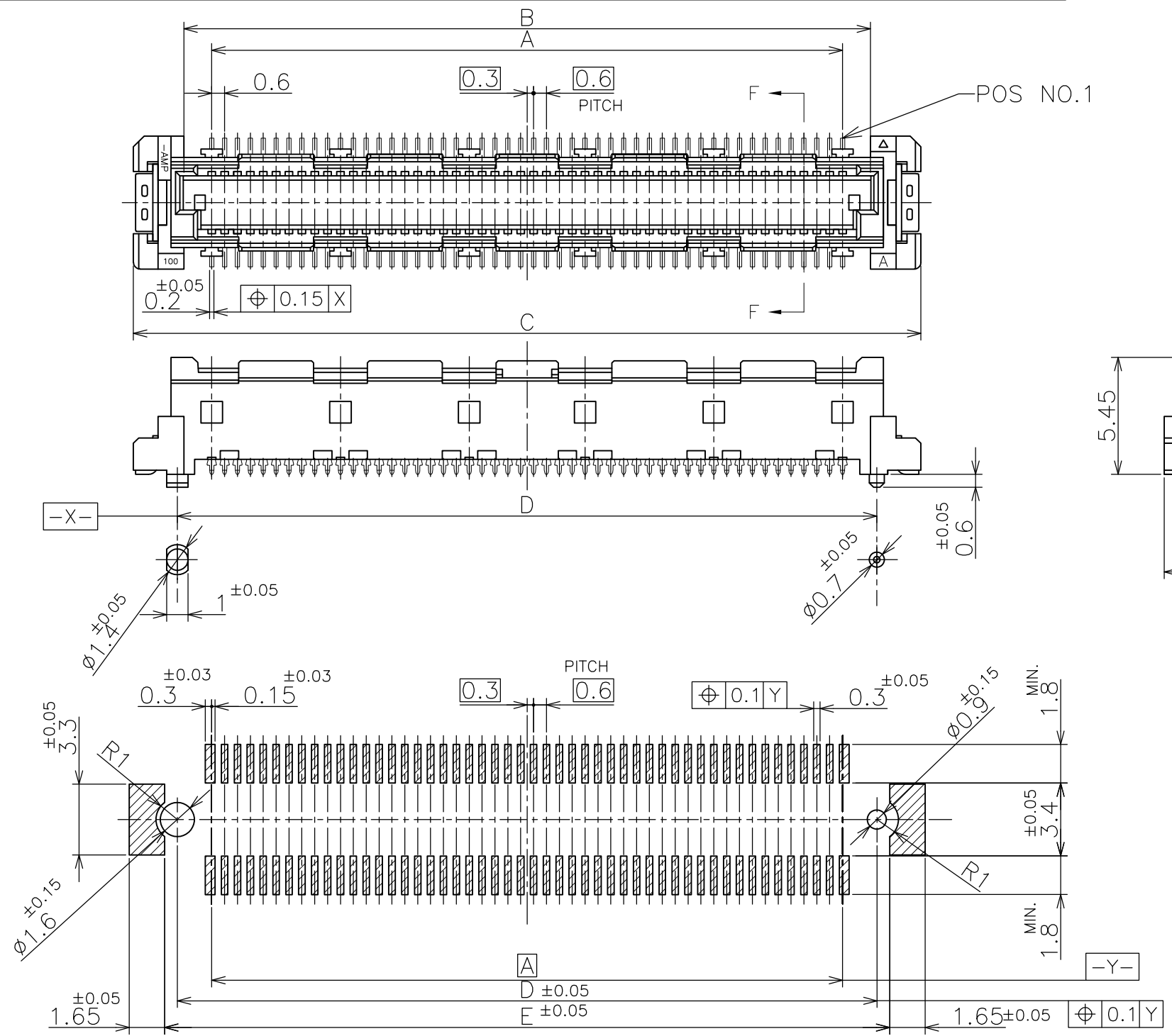
WEIGHT

EMBOSS ASSY
 FH 0.6BTB CONNECTOR
 PLUG 6H STD TYPE

SIZE A3 CAGE CODE 00779 DRAWING NO. G-5353185 RESTRICTED TO 番号

CUSTOMER DRAWING SCALE 1:1 SHEET 1 OF 2 REV B

LOC	DIST	REVISIONS		
J		P	LTR	DESCRIPTION
				DATE
				DWN
				APVD
				SEE SHEET 1



- △ MATERIAL : HOUSING : HIGH TEMP THERMO PLASTIC UL94V-0
CONTACT : COPPER ALLOY
- △ FINISH : UNDER PL Ni 0.0013mm MIN ALL OVER.
CONTACT AREA 0.0002 MIN Au PL.
SOLDERING AREA 0.001 MIN TIN PL.
- △ PACKING ASSY DWG SEE SHEET 1.
- △ THIS PRODUCT WAS COATED BY FLUX-PENETRATION-INHIDTING AGENT.

REFERENCE P.C. BOARD LAYOUT
(VIEW FROM CONN. MOUNTING SIDE)

51.8	50.6	54.7	50	47.4	160	1-5353185-1 & 6-5353185-1
45.8	44.6	48.7	44	41.4	140	1-5353185-0 & 6-5353185-0
39.8	38.6	42.7	38	35.4	120	↑ -9 & 5- ↑ -9
33.8	32.6	36.7	32	29.4	100	↑ -8 & 5- ↑ -8
30.8	29.6	33.7	29	26.4	90	↑ -7 & 5- ↑ -7
27.8	26.6	30.7	26	23.4	80	↑ -6 & 5- ↑ -6
24.8	23.6	27.7	23	20.4	70	↑ -5 & 5- ↑ -5
21.8	20.6	24.7	20	17.4	60	↑ -4 & 5- ↑ -4
18.8	17.6	21.7	17	14.4	50	↑ -3 & 5- ↑ -3
15.8	14.6	18.7	14	11.4	40	↑ -2 & 5- ↑ -2
12.8	11.6	15.7	11	8.4	30	5353185-1 & 5-5353185-1
E	D	C	B	A	POS	△ PART NO.

THIS DRAWING IS A CONTROLLED DOCUMENT.

DIMENSIONS: 単位: 耗 mm	TOLERANCES UNLESS OTHERWISE SPECIFIED: 一般公差
0 PLC ± 0.3	1 PLC ± 0.3
2 PLC ± 0.3	3 PLC ± 0.3
4 PLC ± 0.3	PLC ANGLES ± 3'
MATERIAL 材料	FINISH 仕上

DWN	CHK	APVD	PRODUCT SPEC 製品規格	APPLICATION SPEC 取付適用規格	WEIGHT	Tyco Electronics Corporation Kawasaki, Japan	
NAME 名称						EMBOSS ASSY FH 0.6BTB CONNECTOR PLUG 6H STD TYPE	
SIZE	CAGE CODE	DRAWING NO 番号	RESTRICTED TO				
A3	00779	G-5353185					
CUSTOMER DRAWING				SCALE 尺度	SHEET	REV	
				4:1	2 OF 2	B	