

4

3

2

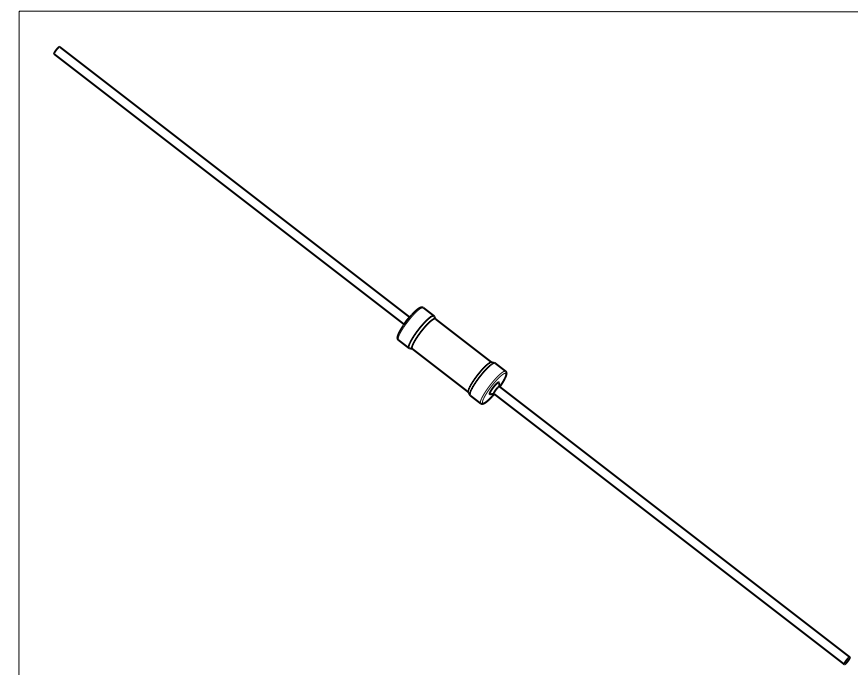
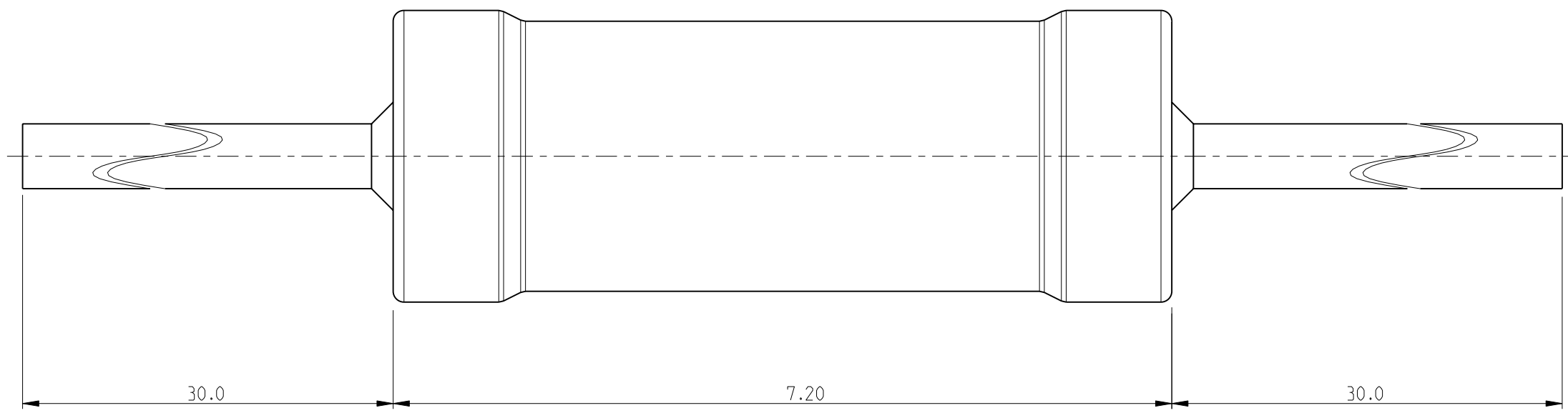
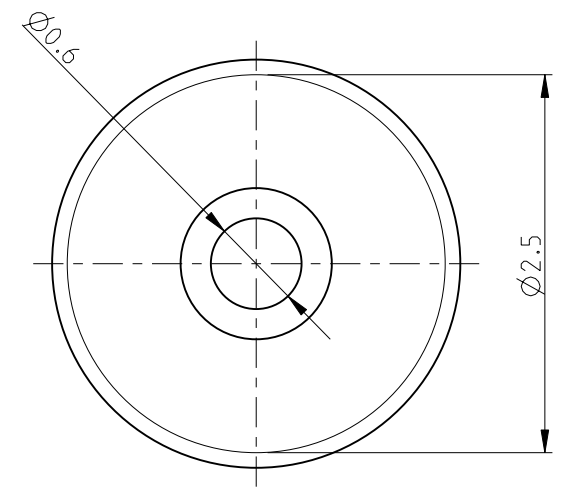
1

THIS DRAWING IS UNPUBLISHED. RELEASED FOR PUBLICATION 2009

© COPYRIGHT 2009 BY TYCO ELECTRONICS CORPORATION. ALL RIGHTS RESERVED.

LOC	DIST	REVISIONS			
P	LTR	DESCRIPTION	DATE	DWN	APVD
E	B	BA	NEW RELEASE	11JUNE2010	PT St.P

FOR FURTHER INFORMATION SEE DATA SHEET FOR SERIES HOLCO, AXIAL LEADED PRECISION RESISTORS



RoHS Compliant

THIS DRAWING IS A CONTROLLED DOCUMENT FOR TYCO ELECTRONICS CORPORATION IT IS SUBJECT TO CHANGE AND THE CONTROLLING ENGINEERING ORGANIZATION SHOULD BE CONTACTED FOR THE LATEST REVISION.

DIMENSIONS: mm		TOLERANCES UNLESS OTHERWISE SPECIFIED:	
		0 PLC	± 0.2
		1 PLC	± 0.1
		2 PLC	± -
		3 PLC	± -
		4 PLC	± -
MATERIAL -		ANGLES	± 5°
		FINISH	-

DWN	PARUSURAM.T	11JUNE2010
CHK	ALLAN.P	11JUNE2010
APVD	STEPHEN.P	11JUNE2010
PRODUCT SPEC	-	
APPLICATION SPEC	-	
WEIGHT	-	
CUSTOMER DRAWING		

		Tyco Electronics Corporation Dorcan, Swindon, SN3 5HH	
NAME AXIAL LEADED PRECISION RESISTORS SERIES HOLCO H8			
SIZE	CAGE CODE	DRAWING NO	RESTRICTED TO
A3	00779	©=1879631	-
SCALE 10:1		SHEET 1 OF 1	REV BA