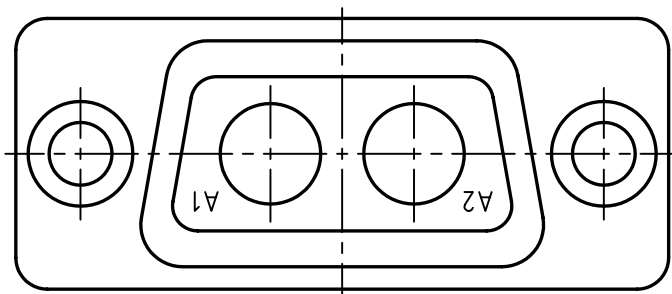
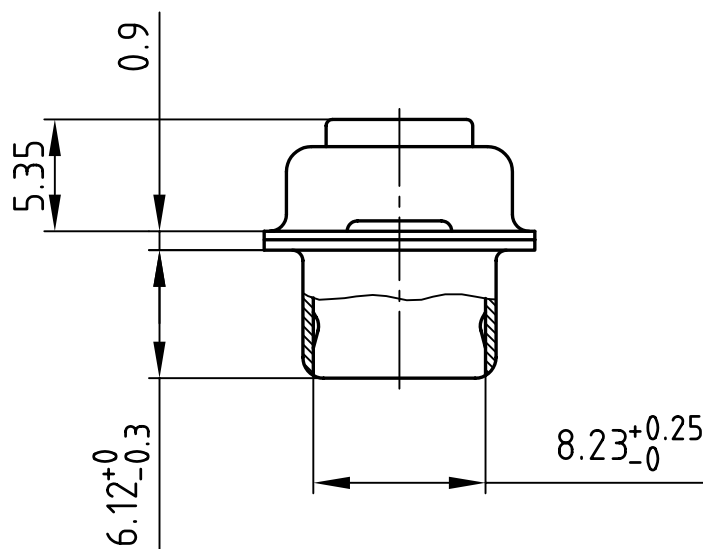
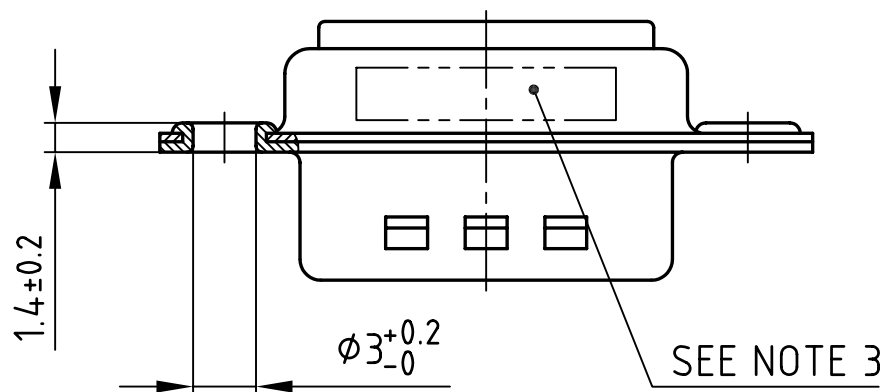
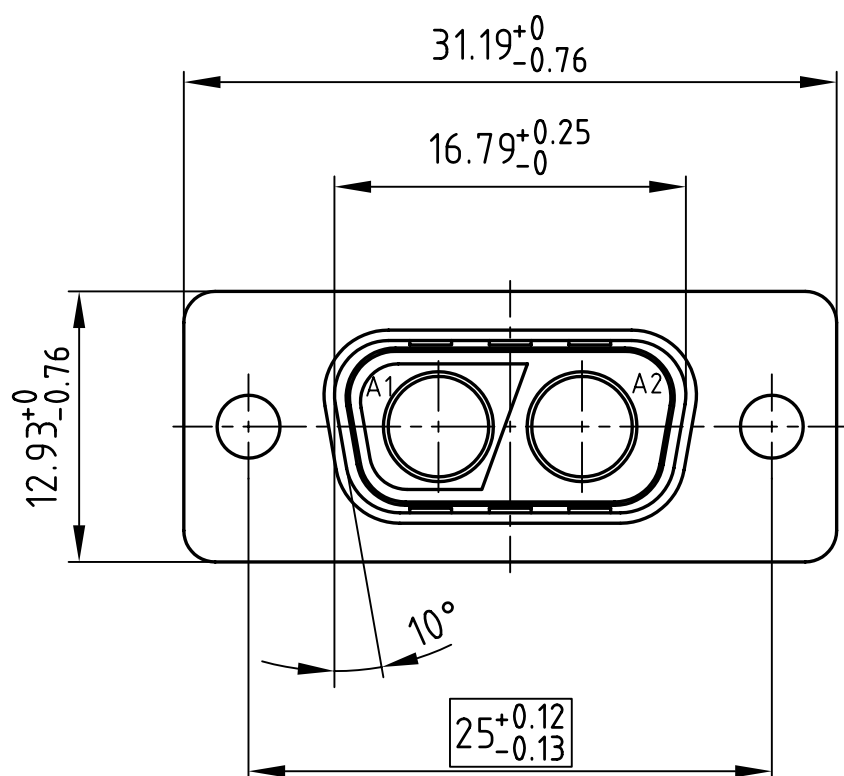


used for: D-SUB COMBINATION



NOTES:

1. METALSHELLS: STEEL: TIN PLATED
2. INSULATOR: PBTP GF UL 94 V-0; GREEN
3. CONNECTOR IS PART MARKED: PART-NO. CONEC Y/WW
4.  = CRITICAL DIMENSION

Directive 2002/95/EC  
 „RoHS“  
 Compliant

THIS DRAWING MAY NOT BE COPIED OR REPRODUCED IN ANY WAY, AND MAY NOT BE PASSED ON TO A THIRD PARTY WITHOUT WRITTEN PERMISSION.  
 OWNERSHIP AND COPYRIGHT OF CONEC GmbH  
 DO NOT ALTER CAD DRAWING BY HAND

tolerance				
1998	date	name		
drawn	16.10.	Barcinski		
appd.	16.10.	Mickenbecker		
norm				
d-old				
rev.	description	date	name	



scale:	2:1	
material:	SEE NOTES	
title:	<b>D-SUB COMBINATION MALE</b> 2W2CP WITHOUT CONTACTS	
dwg no:	AutoCAD/REL.13	DIN-A
	13K1IJ8A	4
		sh: 1/1
part no:	302W2CPXX99A10X	