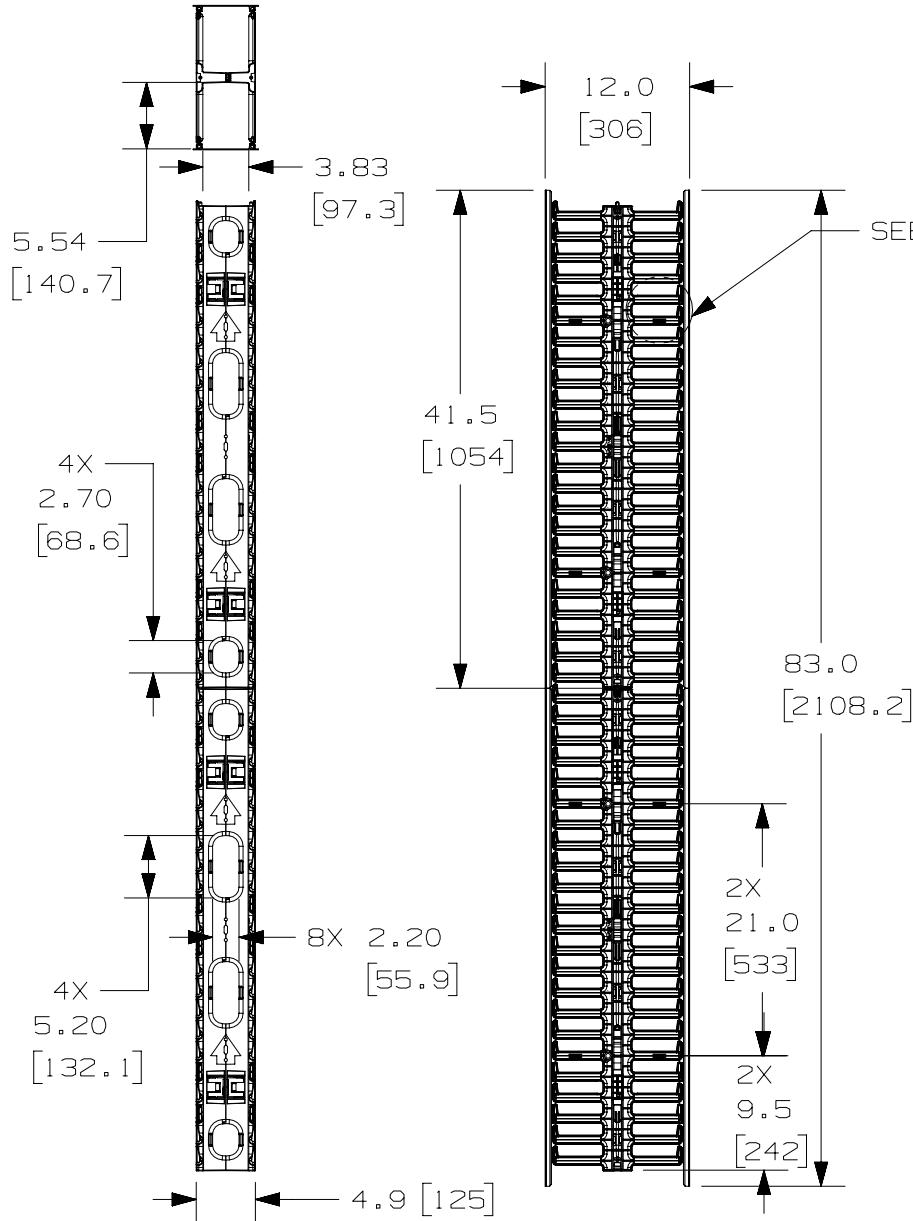
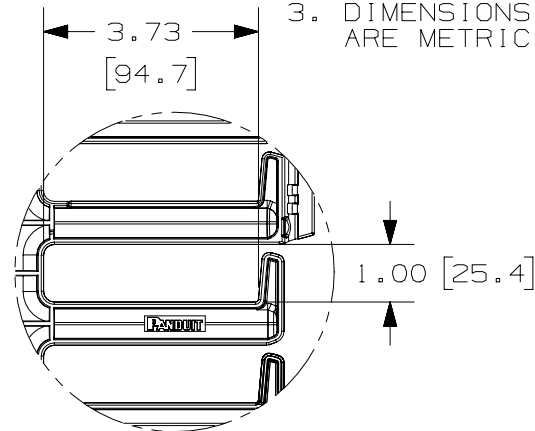


THIS COPY IS PROVIDED ON A RESTRICTED BASIS AND IS NOT TO BE USED IN ANY WAY DETRIMENTAL TO THE INTERESTS OF PANDUIT CORP.



SEE DETAIL A

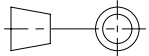



DETAIL A

PANDUIT P/N	WEIGHT
WMPV45E	21.0 LBS/EACH 9.52 Kg/EACH

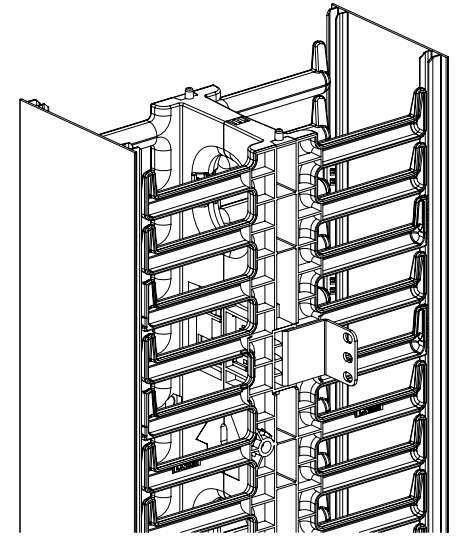
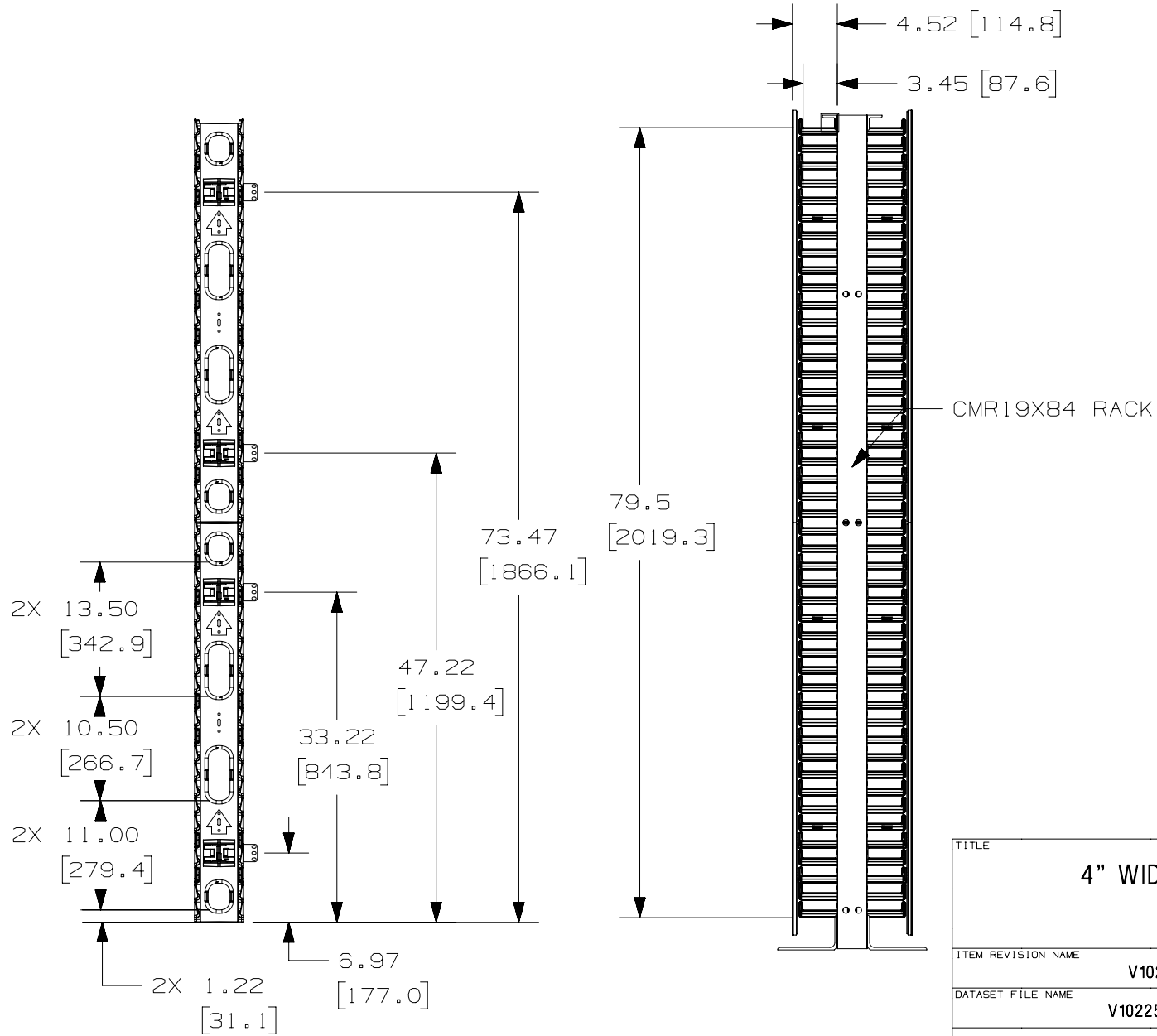
NOTES:

- VISIT OUR ON-LINE CATALOG AT WWW.PANDUIT.COM FOR A CURRENT LIST OF PRODUCTS APPLICABLE FOR USE WITH THIS PART.
- COMPONENTS:
 - 2- 22.5RU CABLE MANAGEMENT SECTIONS
 - 4- 41.5" DUAL HINGE COVERS
 - 4- MOUNTING BRACKETS
 - 8- #12-24 X 1/2" SCREWS
- DIMENSIONS IN PARENTHESES ARE METRIC.

TITLE	
4" WIDE VERTICAL CABLE MANAGER WMPV45E	
CUSTOMER DRAWING	
ITEM REVISION NAME	V10225AA/05
DATASET FILE NAME	V10225AA_DC/05A
UNLESS OTHERWISE SPECIFIED, DIMENSIONAL TOLERANCES ARE: IN (mm)	
.X ±	.XXX ±
.XX ±	ANGLES ±
 THIRD ANGLE PROJECTION	
	
MATERIAL:	
CABLE MANAGER- ABS COVER- PVC	
DRAWING NUMBER:	
10225-23	
DRAWN BY	DATE
JDWE	3-15-05
CHK	SCALE
TCK	NONE
SHT 1 OF 2	
SIZE A	

REV	DATE	BY	CHK	APR	DESCRIPTION	ECN
05A	3-30-15	TWV	MACA	KRKE	REMOVED CABLE RETAINERS. REVISED NOTES.	10225-23
04A	4-23-13	BAME	FGR	CMK	REVISED AND REDRAWN; ALL PREVIOUS REVS OMITTED REVISED TITLE BLOCK	10225-23

THIS COPY IS PROVIDED ON A RESTRICTED BASIS AND IS NOT TO BE USED IN ANY WAY DETRIMENTAL TO THE INTERESTS OF PANDUIT CORP.



CMR19X84 RACK

TITLE		4" WIDE VERTICAL CABLE MANAGER WMPV45E	
CUSTOMER DRAWING			
ITEM REVISION NAME	V10225AA/05	PANDUIT	
DATASET FILE NAME	V10225AA_DC/05A		
UNLESS OTHERWISE SPECIFIED, DIMENSIONAL TOLERANCES ARE: IN (mm)		MATERIAL:	
.X ± .XX ±		CABLE MANAGER- ABS COVER- PVC	
.XXX ± ANGLES ±		DRAWING NUMBER:	
THIRD ANGLE PROJECTION		10225-23	
DRAWN BY	DATE	CHK	SCALE
JDWE	3-15-05	TCK	NONE
DESCRIPTION		ECN	SIZE
SEE SHEET 1 OF 2 FOR REVISIONS		10225-23	A
SEE SHEET 1 OF 2 FOR REVISIONS		10225-23	
REV	DATE	BY	CHK
05A	3-30-15	TWV	MACA
04A	4-23-13	BAME	FGR
		APR	CMK

D10100DA/15