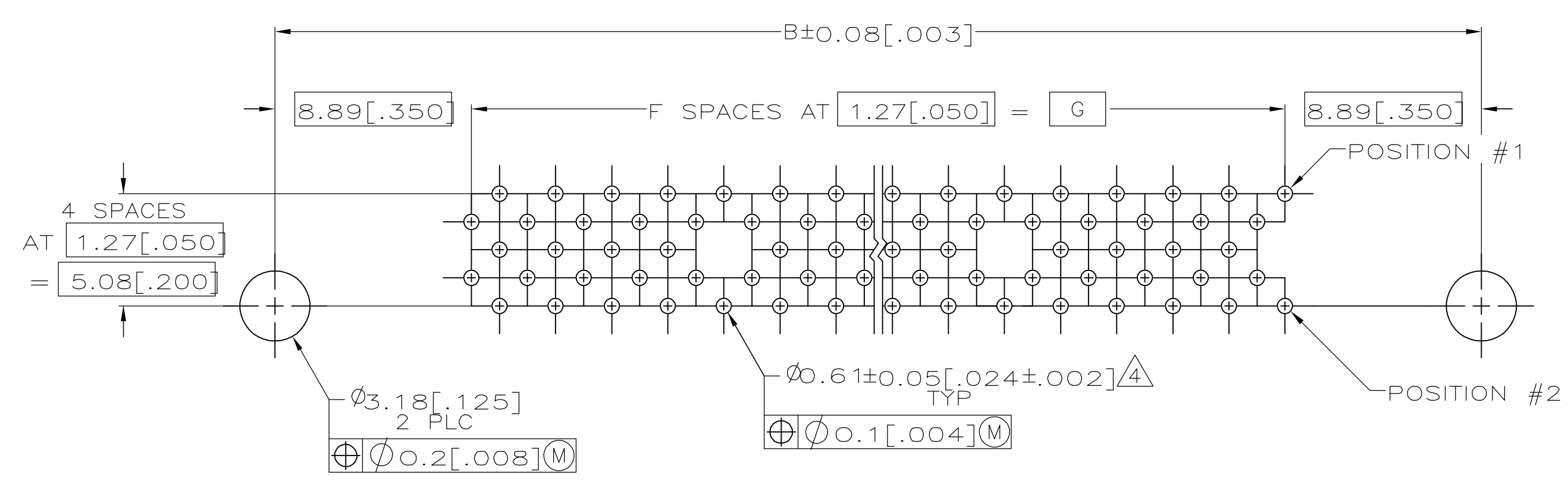
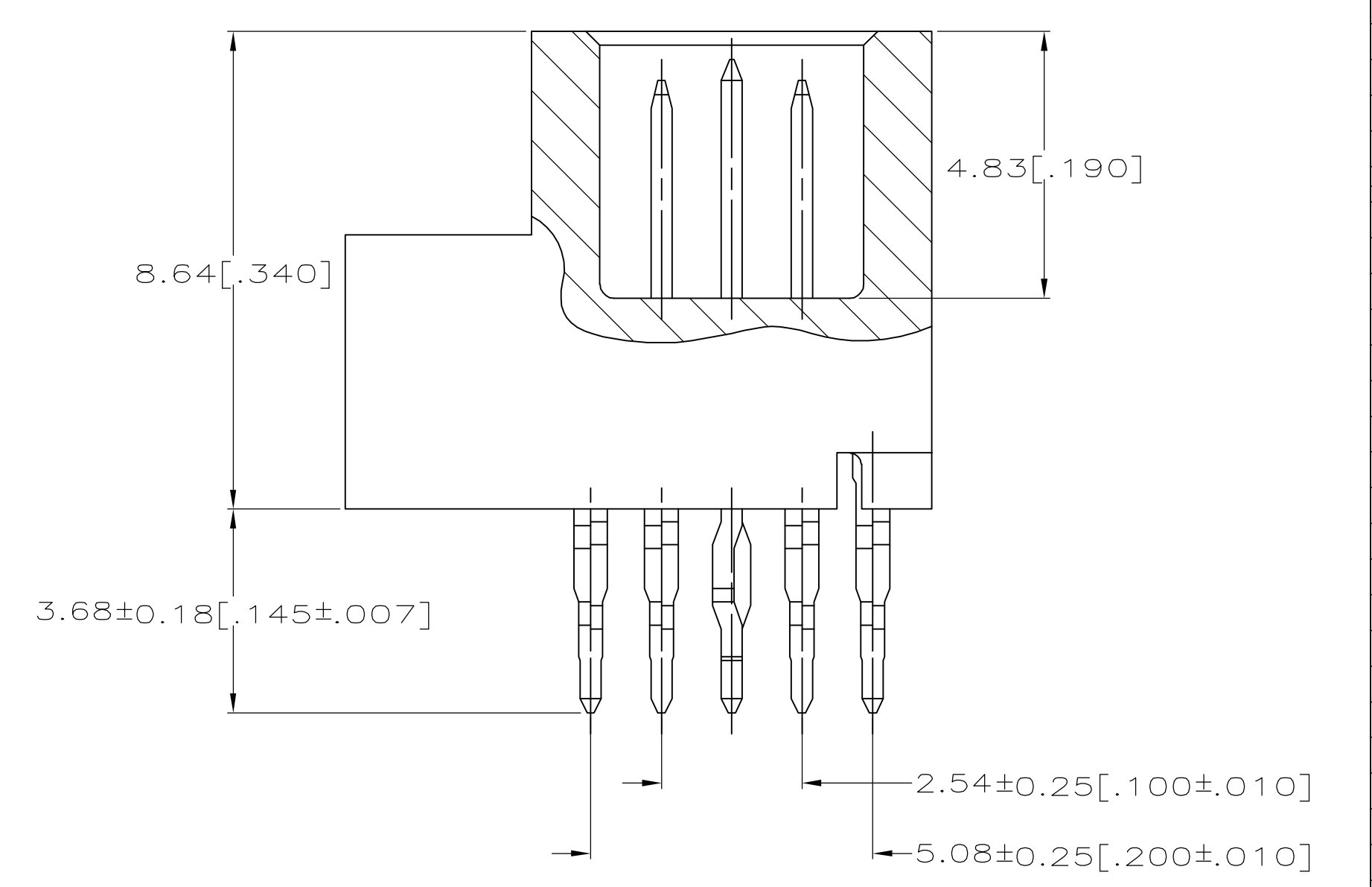
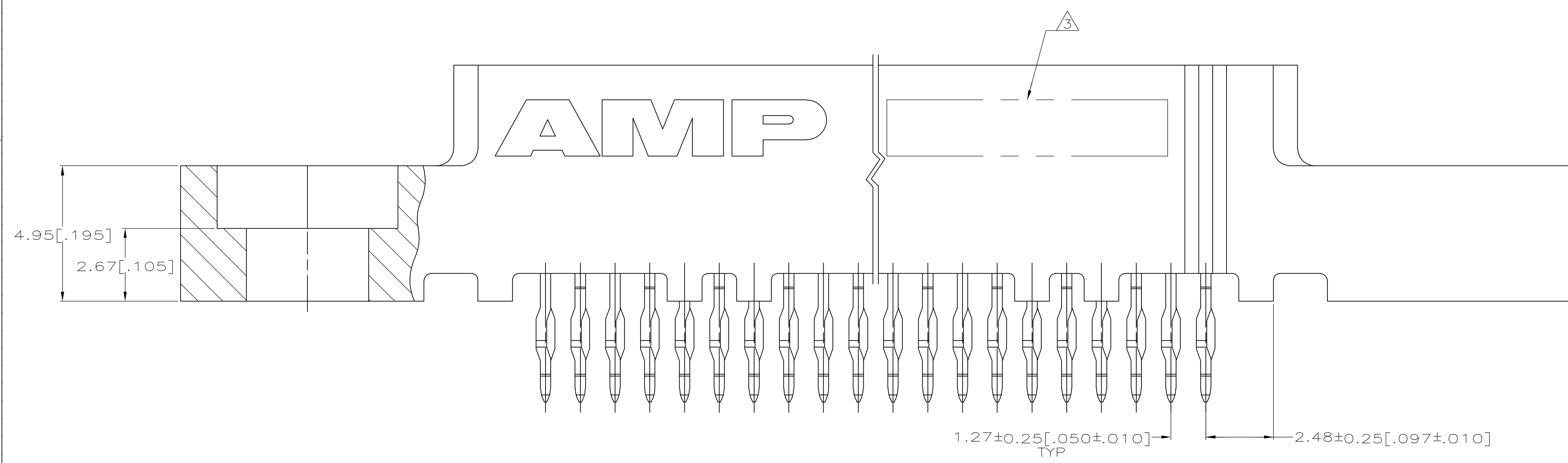


- ① HOUSING: HIGH TEMPERATURE THERMOPLASTIC, COLOR NATURAL.  
PIN CONTACTS: PHOSPHOR BRONZE.  
GROUND BUSSES: PHOSPHOR BRONZE.
- ② PIN CONTACTS: 0.00076[.000030] MIN GOLD IN CONTACT AREA, 0.00063-0.00191[.000025-.000075] TIN-LEAD ON SOLDER TAIL, ALL OVER 0.00127-0.00254[.000050-.000100] NICKEL ON ENTIRE CONTACT.
- GROUND BUSSES: 0.00076[.000030] MIN GOLD IN CONTACT AREA, 0.00063-0.00191[.000025-.000075] TIN-LEAD ON SOLDER TAIL, ALL OVER 0.00127-0.00254[.000050-.000100] NICKEL ON ENTIRE BUS.
- ③ DATE CODE MARKED IN AREA INDICATED.
- ④ 0.701[.0276] DIA HOLE, PLATE WITH 0.0076-0.0254[.00030-.00100] TIN-LEAD OVER 0.025-0.038[.0010-.0015] COPPER, 0.61 ±0.05 [.024 ±.002] DIA HOLE AFTER PLATING.



	24.13[.950]	19	26.62[1.048]	29.08[1.145]	30.84[1.214]	41.91[1.650]	50.8[2.000]	40	536275-7
OBSOLETE	87.63[3.450]	69	90.12[3.548]	92.58[3.645]	94.34[3.714]	105.41[4.150]	114.3[4.500]	140	536275-6
OBSOLETE	151.13[5.950]	119	153.62[6.048]	156.08[6.145]	157.84[6.214]	168.91[6.650]	177.8[7.000]	240	536275-5
OBSOLETE	128.43[5.450]	109	104.92[5.548]	143.38[5.645]	145.14[5.714]	156.21[6.150]	165.1[6.500]	220	536275-4
OBSOLETE	125.73[4.950]	99	128.22[5.048]	130.68[5.145]	132.44[5.214]	143.51[5.560]	152.4[6.000]	200	536275-3
OBSOLETE	113.03[4.450]	89	115.52[4.548]	117.98[4.645]	119.74[4.714]	130.81[5.150]	139.7[5.500]	180	536275-2
OBSOLETE	100.33[3.950]	79	102.82[4.048]	105.28[4.145]	107.04[4.214]	118.11[4.650]	127[5.000]	160	536275-1
	G	F	E	D	C	B	A	NO OF POS	PART NUMBER

RECOMMENDED PC BOARD HOLE LAYOUT  
 (VIEWED FROM CONNECTOR SIDE)  
 SCALE 5:1

THIS DRAWING IS A CONTROLLED DOCUMENT.

DIMENSIONS: mm (INCHES)	TOLERANCES UNLESS OTHERWISE SPECIFIED:	DWN: J.GERACE 2-12-92		Tyco Electronics Corporation Harrisburg, PA 17105-3608
0 PLC ± -	1 PLC ± -	CHK: J.GERACE 2-12-92		NAME: J.GERACE 2-12-92
2 PLC ± -	3 PLC ± 0.13 [.005]	APPR: J.GERACE 2-12-92	PRODUCT SPEC: 108-1272	PLUG ASSEMBLY WITH GUIDES, 10.92 [.430] STACK, 3.68[.145] ACTION PIN TAIL, BOARD TO BOARD, MICRO-STRIP
4 PLC ± -	ANGLES ± -	FINISH: -	APPLICATION SPEC: 114-11005	SIZE: A1
MATERIAL: ①	FINISH: ②	WEIGHT: -	CAGE CODE: 00779	DRAWING NO: 536275
CUSTOMER DRAWING			SCALE: 10:1	SHEET: 1 OF 1