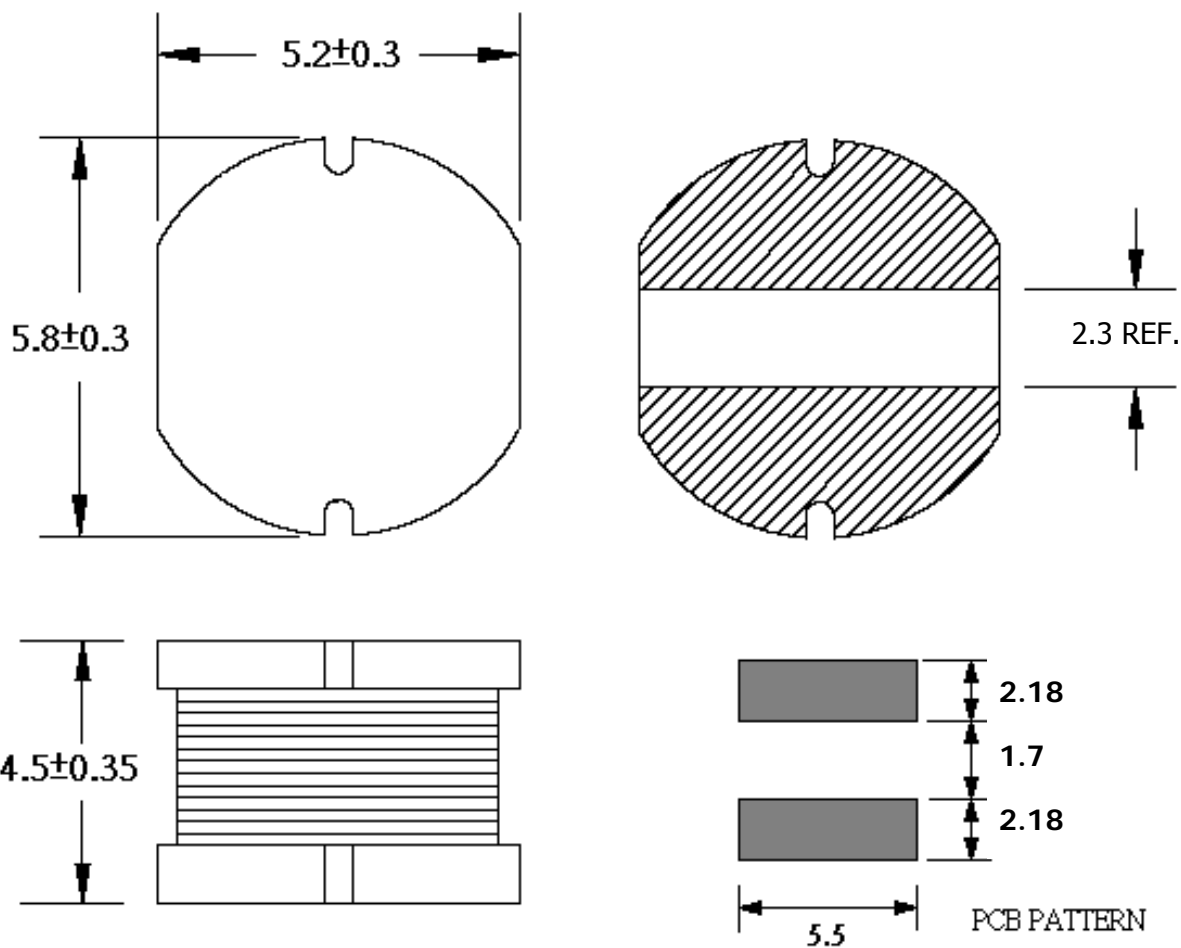


## TCK-062



All dimensions in mm

### SPECIFICATIONS

Inductance	$12\mu\text{H} \pm 20\%$
	Test Condition: 100KHz/1000mV Measurement Instrument: HP 4263B LCR Meter
Impedance	DCR(Max): $120\text{m}\Omega$
	Measurement Instrument: HIOKI 3540 $\text{m}\Omega$ Hitester
Rated Current	IDC(Max): 1.4A
	Measurement Instrument: Agilent 34401A Meter
Operating temperature	$-40^\circ\text{C} \sim +125^\circ\text{C}$