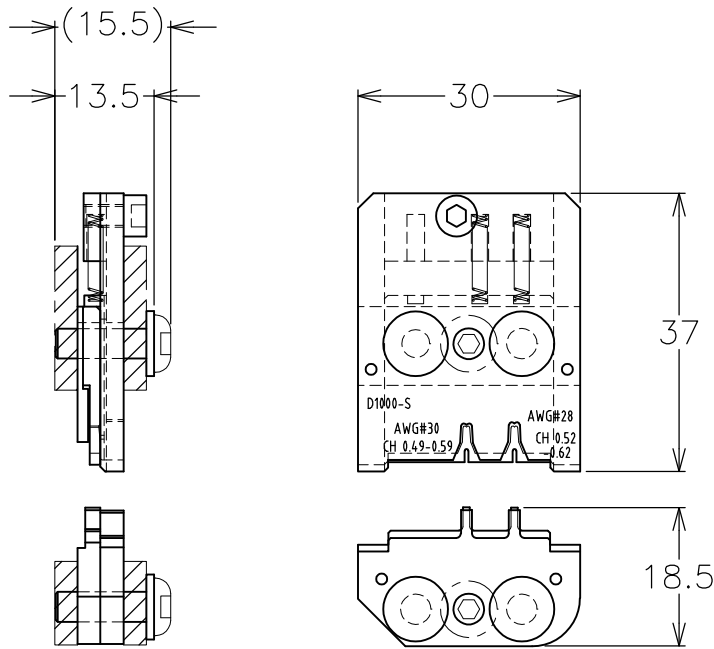


REVISIONS

P	LTR	DESCRIPTION	DATE	DWN	APVD
	C	ECR-16-009790	11JUL2016	S.N	J.K

-1 ONLY




RELEASED FOR PUBLICATION

ALL RIGHTS RESERVED.

Tyco Electronics Japan C.K.

THIS DRAWING IS UNPUBLISHED.

TERMINAL No.	WIRE SIZE AWG#	INS. RANGE (mm)	TERMINAL CH (mm)		IS. No.
			WIRE	INS.	
1827586-2	#28	ø0.8-ø1.2	0.52-0.62	1.5 REF	411-
1903115-2	#30	ø0.6-ø1.0	0.49-0.59	1.3 REF	78205

DIMENSIONS: ??? ? mm	DWN S.NAKA	21.JUL.2005	MATERIAL ??	FINISH ??	-	
	CHK S.NAKA	21.JUL.2005	 TE Connectivity			
TOLERANCES UNLESS OTHERWISE SPECIFIED: ????	APVD S.YABE	21.JUL.2005				NAME ??
0 PLC ± -	PRODUCT SPEC ?????		SIZE	CAGE CODE	DRAWING NO	RESTRICTED TO -
1 PLC ± -	APPLICATION SPEC ??????	114-5377	A4	00779	?? C-1762953	
2 PLC ± -	WEIGHT	90g	SCALE ?? 1:1			SHEET 1 OF 1
3 PLC ± -	CUSTOMER DRAWING			REV C		
4 PLC ± -				REVISIONS		
ANGLES ± -						

