

Customer Information Sheet

DRAWING No.: W2131-00

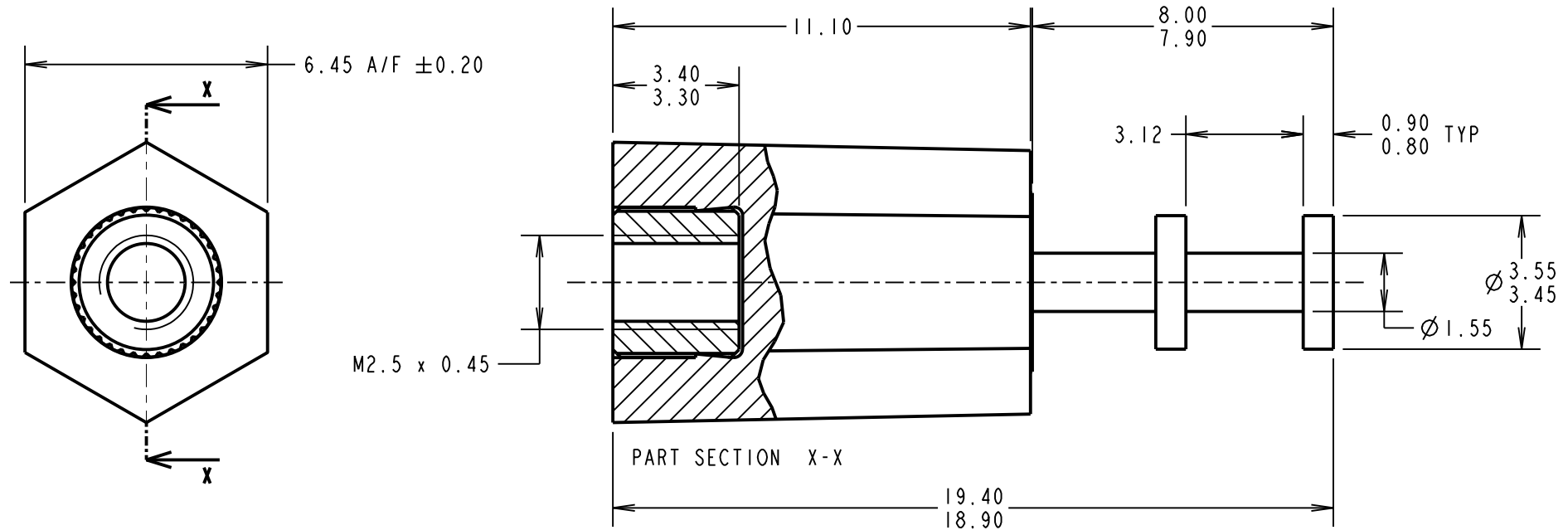
IF IN DOUBT - ASK

©

NOT TO SCALE

THIRD ANGLE PROJECTION

ALL DIMENSIONS IN mm



SPECIFICATIONS:

MATERIAL:

INSULATOR = POLYAMIDE 46, BLACK

INSERTS = BRASS

FINISH:

BOTTOM THREAD INSERT = 1.25µ NICKEL

DOUBLE TURRET INSERT = 7.6µ 100% TIN OVER 2.4µ NICKEL

ELECTRICAL:

CURRENT RATING = 10A MAX

VOLTAGE PROOF = 10kV MIN

ENVIRONMENTAL:

OPERATING TEMPERATURE = -55°C TO +125°C

SM	9	08.02.11	11115
NAME	ISS.	DATE	C/NOTE
APPROVED: S. MCCULLAGH			
CHECKED: R. ADDE			
DRAWN: J. CLAY			
CUSTOMER REF.:			
ASSEMBLY DRG:			

HARWIN

THIS DRAWING AND ANY INFORMATION OR DESCRIPTIVE MATTER SET OUT HEREON ARE CONFIDENTIAL AND COPYRIGHT PROPERTY OF THE HARWIN GROUP AND MUST NOT BE DISCLOSED, LOANED, COPIED OR USED FOR MANUFACTURING, TENDERING OR FOR ANY OTHER PURPOSE WITHOUT THEIR WRITTEN PERMISSION.

TOLERANCES

X. = ±1mm
 X.X = ±0.25mm
 X.XX = ±0.10mm
 X.XXX = ±0.01mm
 ANGLES = ±5°
 UNLESS STATED

MATERIAL:

SEE ABOVE

FINISH: SEE ABOVE

S/AREA: mm²

TITLE:

INSULATED TERMINAL
 DOUBLE TURRET

DRAWING NUMBER:

W2131-00

SHT
 2
 OF 2

HARWIN USA

TEL: 603 893 5376

FAX: 603 893 5396

mis@harwin.com

HARWIN Europe (UK)

TEL: 023 9231 4545

FAX: 023 9231 4590

mis@harwin.co.uk

HARWIN Asia

TEL: +65 6 779 4909

FAX: +65 6 779 3868

mis@harwin.com.sg