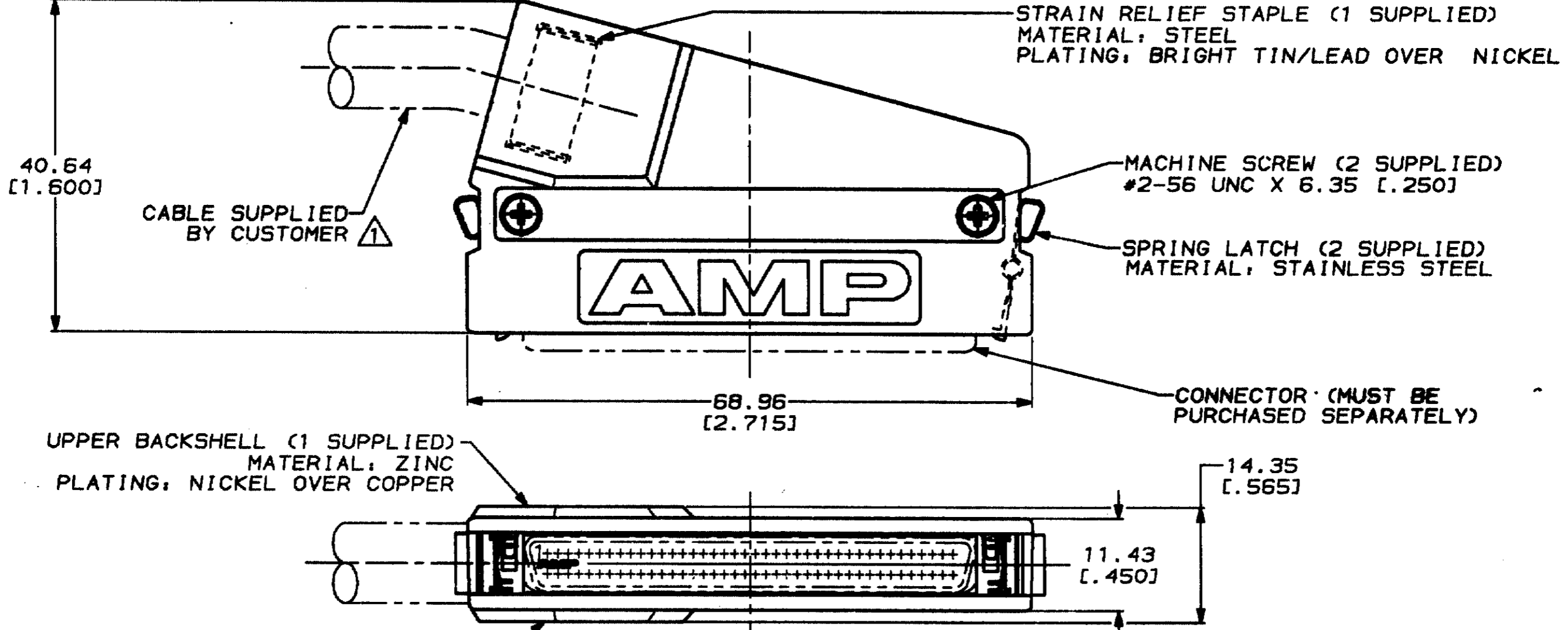


THIS DRAWING IS UNPUBLISHED. RELEASED FOR PUBLICATION ,19 .
© COPYRIGHT 19 BY AMP INCORPORATED. ALL INTERNATIONAL RIGHTS RESERVED.

8 BD 39

REVISIONS				
ZONE	LTR	DESCRIPTION	DATE	APPD
0		RELEASED PER NPR 2244 WAS 88-5870-44	12/01/88	-
A		REVISED PER ECN 4221-0453	10/30/88	MAM
B		REVISED PER ECN 4221-0586	7-5-90	BT



LOWER BACKSHELL (1 SUPPLIED)
MATERIAL: ZINC PLATING; NICKEL OVER COPPER

10.67 [.420] MAX CABLE DIA



AS SHOWN		749205-1
REMARKS		PART NO
<small>DO NOT SCALE PRINT. UNLESS SPECIFIED DIMENSIONS IN mm (INCHES) TOLERANCES ON: 2 PLC DEC * - 3 PLC DEC * 0.38 (.015) ANGLES * -</small>		AMP AMP INCORPORATED Harrisburg, Pa. 17105
<small>OR 12/20/88 M.E. SHIRK CHK 12/20/88 M.A. MCCAFFREY APPD 12/20/88 J.L. BROCHARD APPD 12/20/88 C.E. REYNOLDS PRODUCT SPEC</small>		NAME INDIVIDUAL KIT, UNASSEMBLED, 80 POSITION, 75° EXIT, UNKEYED, AMPLIMITE .050 Series
MATERIAL	-	SIZE B
FINISH	-	FSCH NO 00779
WEIGHT	-	DRAWING NO 749205
SCALE 2:1		SHEET 1 OF 1