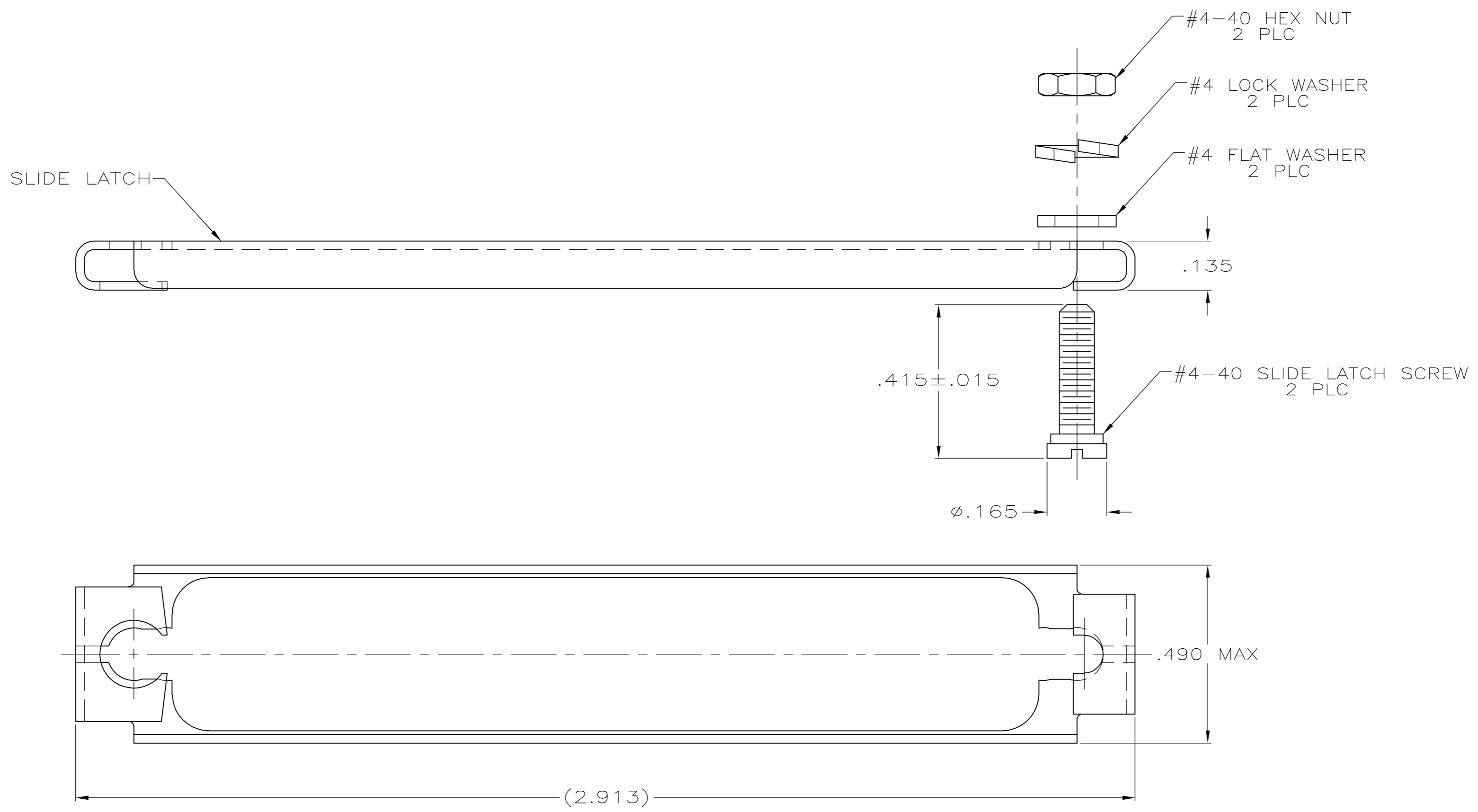


THIS DRAWING IS UNPUBLISHED. RELEASED FOR PUBLICATION  
 © COPYRIGHT BY TYCO ELECTRONICS CORPORATION. ALL RIGHTS RESERVED.

LOC		DIST		REVISIONS			
P	LTR	DESCRIPTION		DATE	DWN	APVD	
GP	00	0		RELEASED PER EC 0S13-0207-05	29JUN05	SW JG	



1. PARTS PACKAGED UNASSEMBLED.
2. PARTS PACKAGED AS A UNIT KIT.
3. THIS KIT CAN BE USED WITH CABLE CLAMP BODIES THAT DO NOT EXTEND BEYOND THE FRONT FLANGE OF THE CONNECTOR OR ON CONNECTORS WITHOUT CABLE CLAMPS.
4. ZINC PLATED .000200-.000400 THICK, YELLOW CHROMATE COATING.

5745407-1  
 PART NO

THIS DRAWING IS A CONTROLLED DOCUMENT.		DWN	29JUN05	 Tyco Electronics Corporation Harrisburg, Pa 17105-3608											
DIMENSIONS: INCHES		CHK	29JUN05												
TOLERANCES UNLESS OTHERWISE SPECIFIED:		APVD	29JUN05												
<table border="1"> <tr><td>0 PLC</td><td>± -</td></tr> <tr><td>1 PLC</td><td>± -</td></tr> <tr><td>2 PLC</td><td>± -</td></tr> <tr><td>3 PLC</td><td>± .005</td></tr> <tr><td>4 PLC</td><td>± -</td></tr> <tr><td>ANGLES</td><td>± -</td></tr> </table>		0 PLC	± -		1 PLC	± -	2 PLC	± -	3 PLC	± .005	4 PLC	± -	ANGLES	± -	NAME
0 PLC	± -														
1 PLC	± -														
2 PLC	± -														
3 PLC	± .005														
4 PLC	± -														
ANGLES	± -														
MATERIAL: SLIDE LATCH: STAINLESS STEEL HARDWARE: STEEL		FINISH: HARDWARE: 4		KIT, SLIDE LATCH, SIZE 4, 37 POSITION, AMPLIMITE											
SCALE: 4:1		SIZE	A2	RESTRICTED TO											
SHEET 1 OF 1		CAGE CODE	00779	REV 0											
CUSTOMER DRAWING		DRAWING NO	C=5745407												

5745407