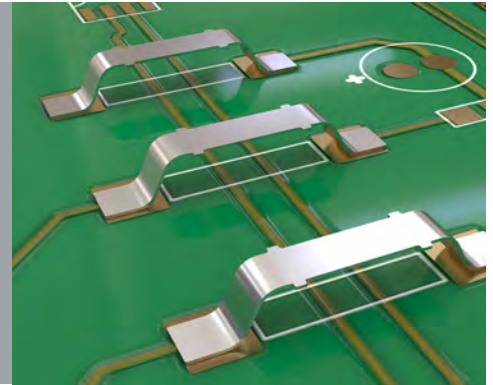


# SMT Hardware

## SMT Fixed Jumper Link

- Designed to link PCB tracks where through hole links are not possible.
- Typical applications include use on aluminium backplanes in power applications.
- High current.
- Small footprint.
- Low profile options available for space saving design.



### Materials

**Material:** Copper Alloy (S1621, S1911)  
Copper (S1731)

**Finish:** Tin

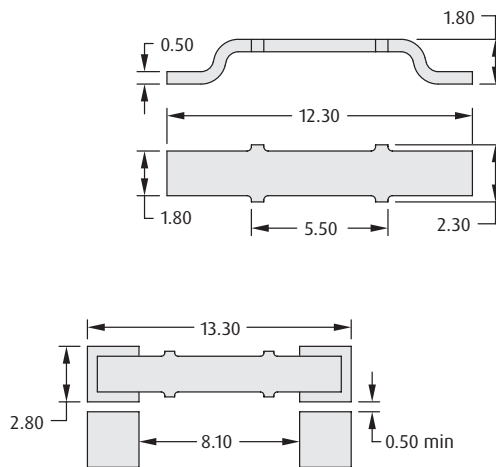
### Packaging

**Format:** Tape & Reel

**Reel quantity**

S1621-46R:	5,000 on a Ø330mm reel
S1731-46R:	2,500 on a Ø330mm reel
S1911-46R:	4,000 on a Ø330mm reel

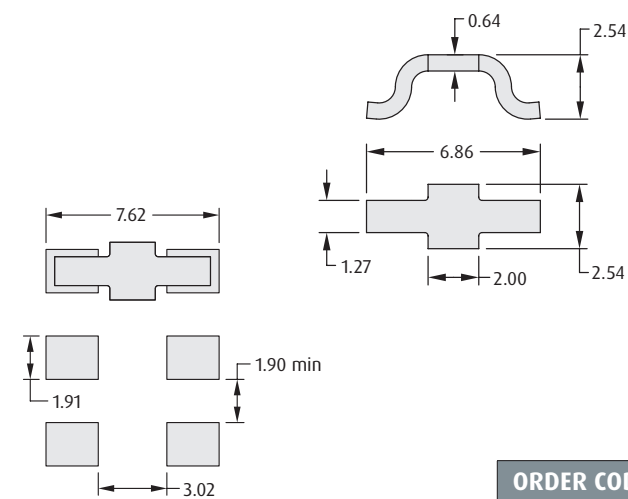
### 12.3mm LONG



Recommended PC Board Pattern

**ORDER CODE**  
**S1621-46R**

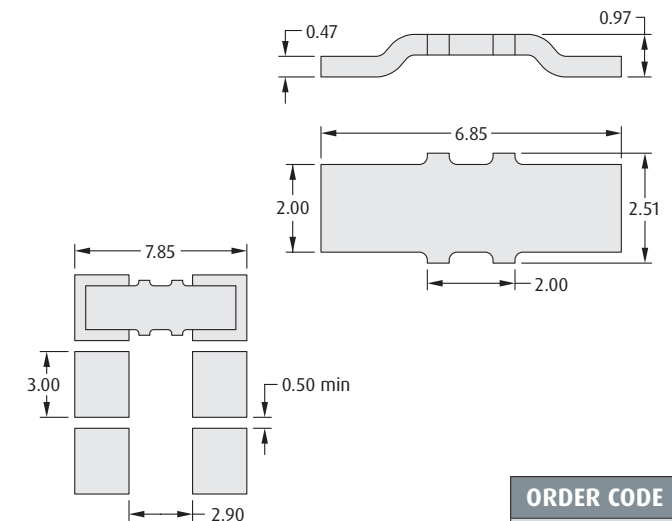
### 6.86mm LONG, 2.54mm HIGH



Recommended PC Board Pattern

**ORDER CODE**  
**S1731-46R**

### 6.85mm LONG, 0.97mm HIGH



Recommended PC Board Pattern

**ORDER CODE**  
**S1911-46R**

All dimensions in mm.