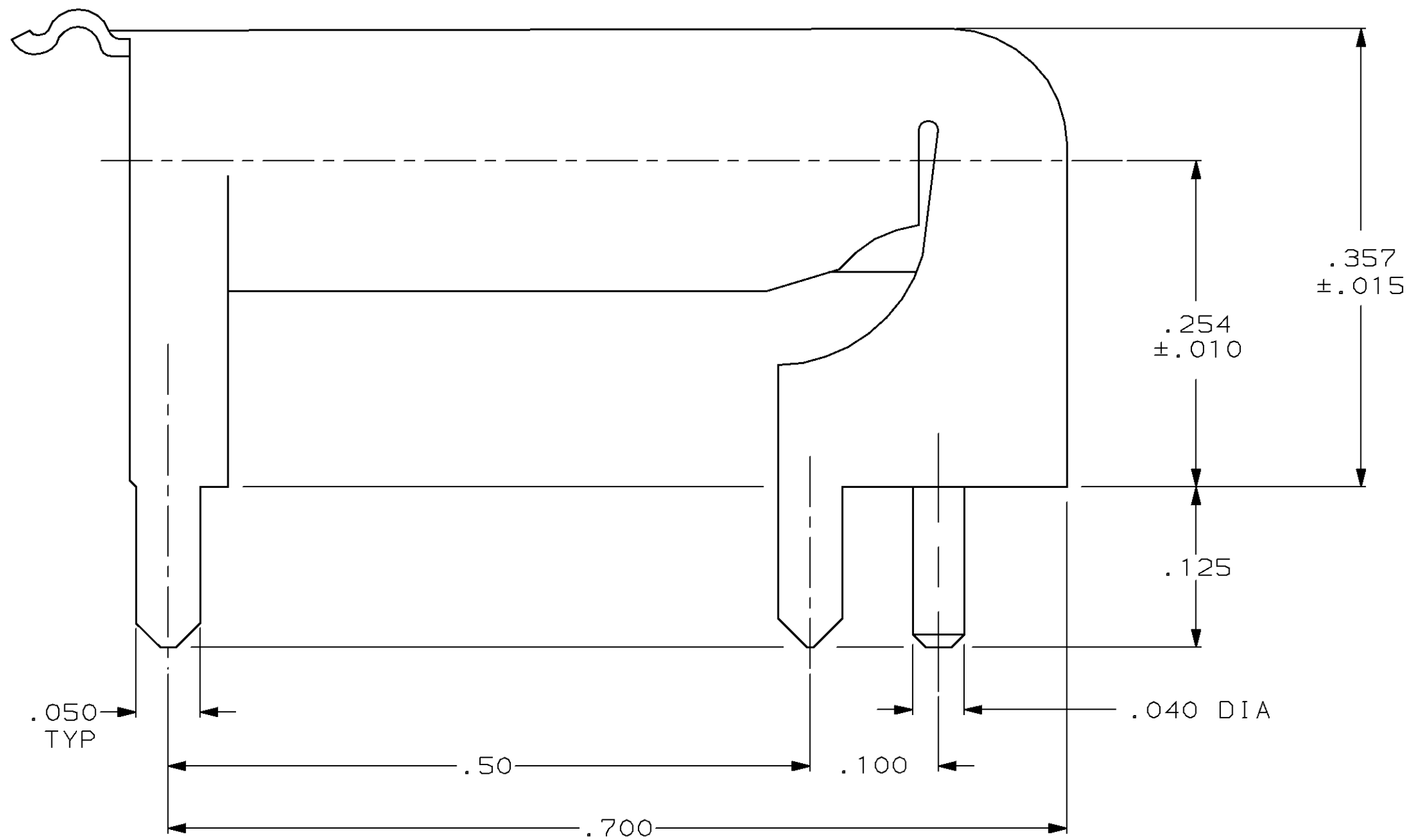
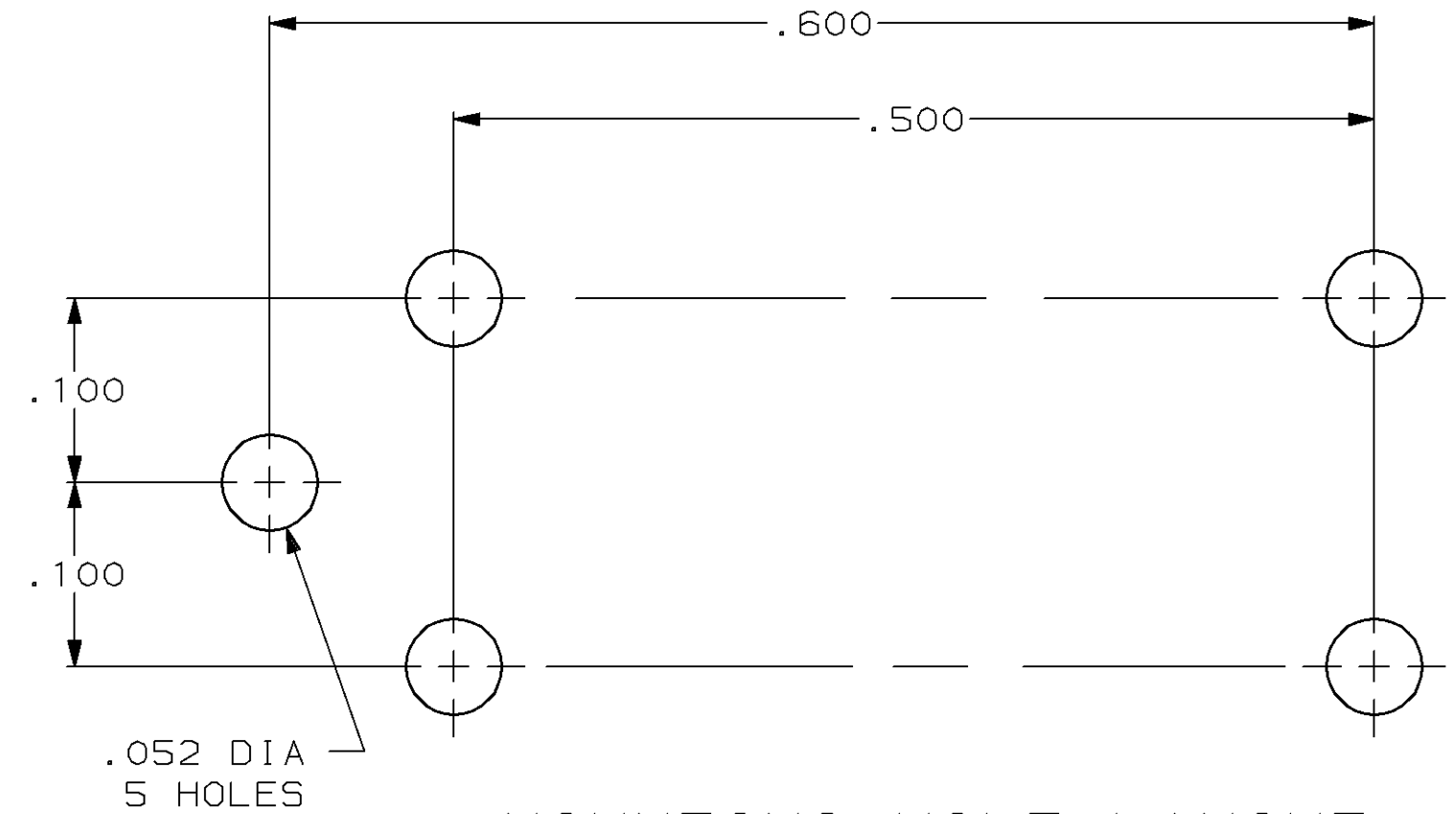
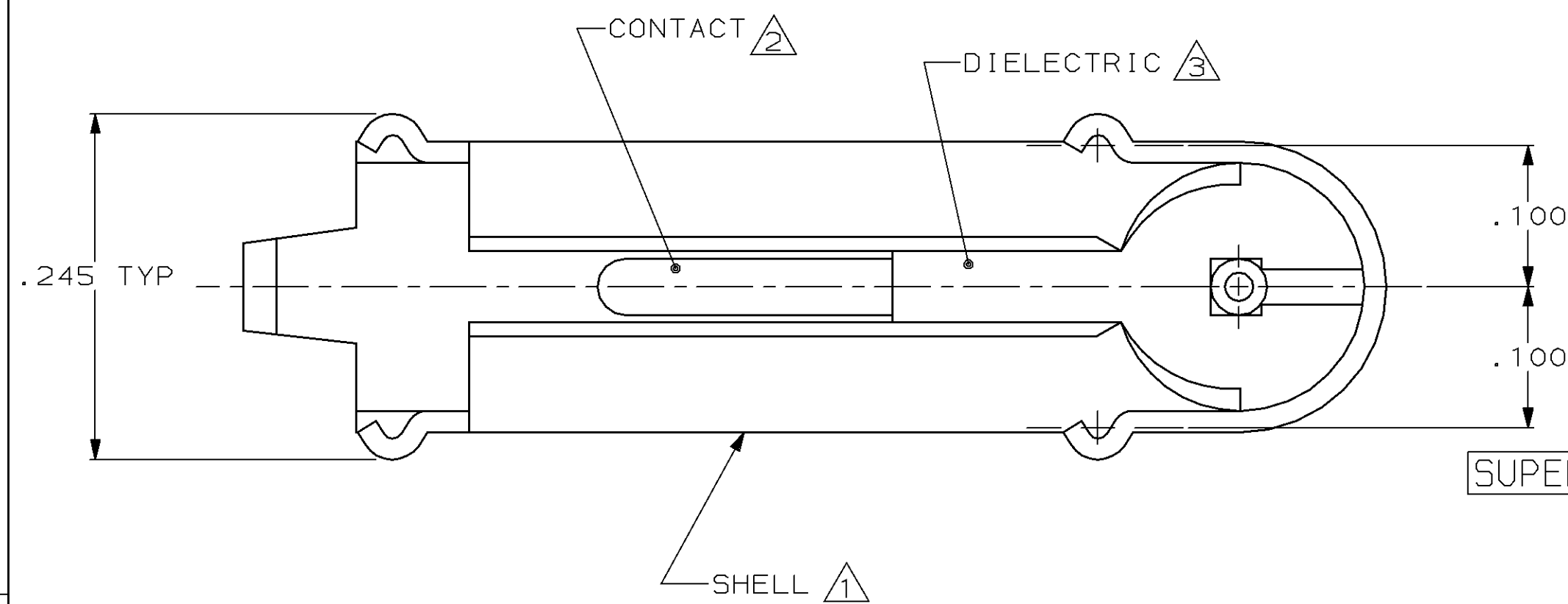


THIS DRAWING IS UNPUBLISHED. RELEASED FOR PUBLICATION ,19 .  
 © COPYRIGHT 19 BY AMP INCORPORATED. ALL INTERNATIONAL RIGHTS RESERVED.

LOC	DIST	P	F	REVISIONS				
				ZONE	LTR	DESCRIPTION	DATE	APPD
AJ	16	✓	✓		K	REVISED AND REDRAWN PER AJ-4040	8-29-89	JG
		✓	✓		L	OBS -2 PER AJ-3015	02/02/93	JPD
					M	SUPERCEDED -3 BY -1 PER 0220-0416-94	03/OCT/94	JPD



- ① BRASS PER MIL-C-50
- ② BRASS PER QQ-B-626
- ③ POLYPROPYLENE, GENERAL PURPOSE.
- ④ GOLD PLATE PER MIL-G-45204, .000030 MIN THK.
- ⑤ GOLD PLATE PER MIL-G-45204, .000050 MIN THK.
- ⑥ TIN-LEAD PLATE PER ASTM-B-545.
- 7. FOR USE WITH .062 MAX PRINTED CIRCUIT BOARD.
- 8. SEE I.S. 1204.



SUPERCEDED BY 50107-1	④	⑥	50107-3
OBSOLETE	⑤	⑤	50107-2
	④	④	50107-1
CONTACT FINISH		SHELL FINISH	PART NUMBER

DO NOT SCALE PRINT. UNLESS SPECIFIED DIMENSIONS IN INCHES TOLERANCES ON : 2 PLC DEC ± .01 3 PLC DEC ± .008 ANGLES ± -		DR J.L. GROFT 6-30-89	PART NO	
MATERIAL SEE NOTES 1 & 2		CHK S.J. MAGARO 9-28-89	AMP INCORPORATED Harrisburg, Pa. 17105	
FINISH SEE TABLE		APPD M. SNEED 1-17-90	NAME	
		APPD M. SNEED 1-17-90	SOCKET, PCB, LOCKING LATCH, MINIATURE	
		PRODUCT SPEC 108-12081	SIZE C	FSCM NO 00779
		APPLICATION SPEC -	SCALE 10:1	DRAWING NO 50107
		WEIGHT -	SHEET 1 OF 1	