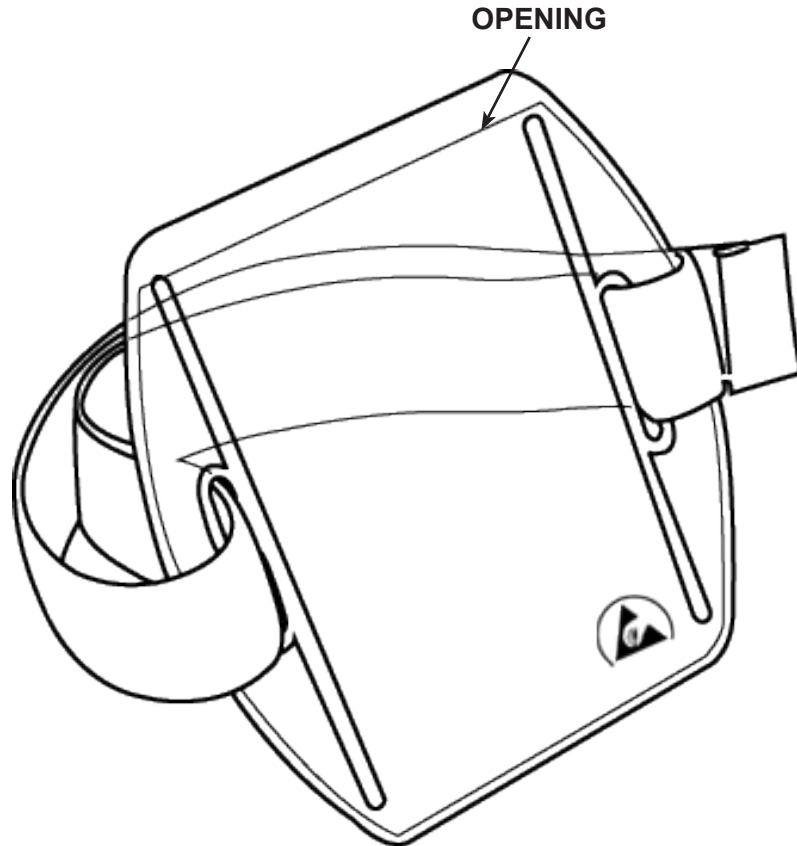




Made in the United States of America



Features:

- Arm Band Badge Holder
 - Material Thickness: 0.012" (2S) front pocket & 0.036" (2S) back
 - Material Tolerance (thickness): ±10% to ensure durability
- Ideal for use by electronic manufacturers working with ESD sensitive components
- Made with a custom dissipative material made exclusively for Desco Industries
 - Rtt: 1×10^6 to $< 1 \times 10^{10}$ ohms per ANSI/ESD STM11.11
 - Tribocharging: Less than 100 volts
- ESD symbol allows people to immediately know the Badge Holder has ESD control properties: low charging antistatic and dissipative
- Perfect for active personnel if standard badges fall off their clothing
- 4" x 4-5/16" (Outer Dimension), 2-3/8" x 3-3/8" (Insert Size)
- Adjustable black elastic band flexes with arm movement for secure fit
- Made in the United States of America

Item	Description
35193	Clear Arm Band Badge Holder, Black Elastic Band
35194	Yellow Arm Band Badge Holder, Black Elastic Band

"It should be understood that any object, item, material or person could be a source of static electricity in the work environment. Removal of unnecessary nonconductors, replacing nonconductive materials with dissipative or conductive materials and grounding all conductors are the principle methods of controlling static electricity in the workplace, regardless of the activity." [ESD Handbook ESD TR20.20 section 2.4 Sources of Static Electricity]

± 1/16" tolerances on dimensions unless specified.

Specifications and procedures subject to change without notice.

ARM BAND ESD BADGE HOLDER, 2-3/8" x 3-3/8" INSERT SIZE

3651 WALNUT AVENUE, CHINO, CA 91710
PHONE: (909) 627-2453
WEBSITE: Menda-ID.com

DRAWING NUMBER
35193

DATE
March 2015

