

THE INFORMATION CONTAINED HEREIN IS CONSIDERED "PROPRIETARY" TO BEL FUSE INC. AND SHALL NOT BE COPIED, REPRODUCED OR DISCLOSED WITHOUT THE WRITTEN APPROVAL OF BEL FUSE INC.

LED1 POLARITY			LED2 POLARITY			
PIN 13	PIN 14	COLOR	PIN 15	PIN 16	PIN 17	COLOR
-	+	YELLOW	-	+	/	ORANGE
/	/	/	/	+	-	GREEN

PRELIMINARY



ELECTRICAL CHARACTERISTICS @ 25°C

URNS RATIO

TP1	1CT : 1CT ±2%
TP2	1CT : 1CT ±2%
TP3	1CT : 1CT ±2%
TP4	1CT : 1CT ±2%

QCL @ 100kHz/100mVRMS

8mA DC BIAS (0°C - 70°C)	180 μH MIN.
19mA DC BIAS (0°C - 70°C)	120 μH MIN.

INS. LOSS

1MHz TO 150MHz	-0.004(fMHZ)-0.4 dB MAX
----------------	-------------------------

RET. LOSS

1MHz-40MHz	-20 dB MIN
40.1MHz-150MHz	-20+15LOG(f/40MHZ) dB MIN

CROSSTALK

1MHz - 40MHz	-35 dB MIN
40.1MHz-150MHz	-35+15LOG(f/40MHZ) dB MIN

CM TO CM REJ

1MHz - 150MHz	-25 dB MIN
---------------	------------

HIPOT (Isolation Voltage):

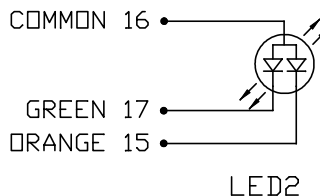
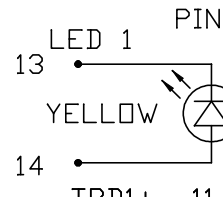
2250 VDC
100% OF PRODUCTION TESTED TO COMPLY WITH IEEE 802.3 ISOLATION REQUIREMENTS.

LED 1

VF (FORWARD VOLTAGE) IF=20mA YELLOW 2.1V TYP.
λD (DOMINANT WAVELENGTH) IF=20mA YELLOW 590nm TYP.

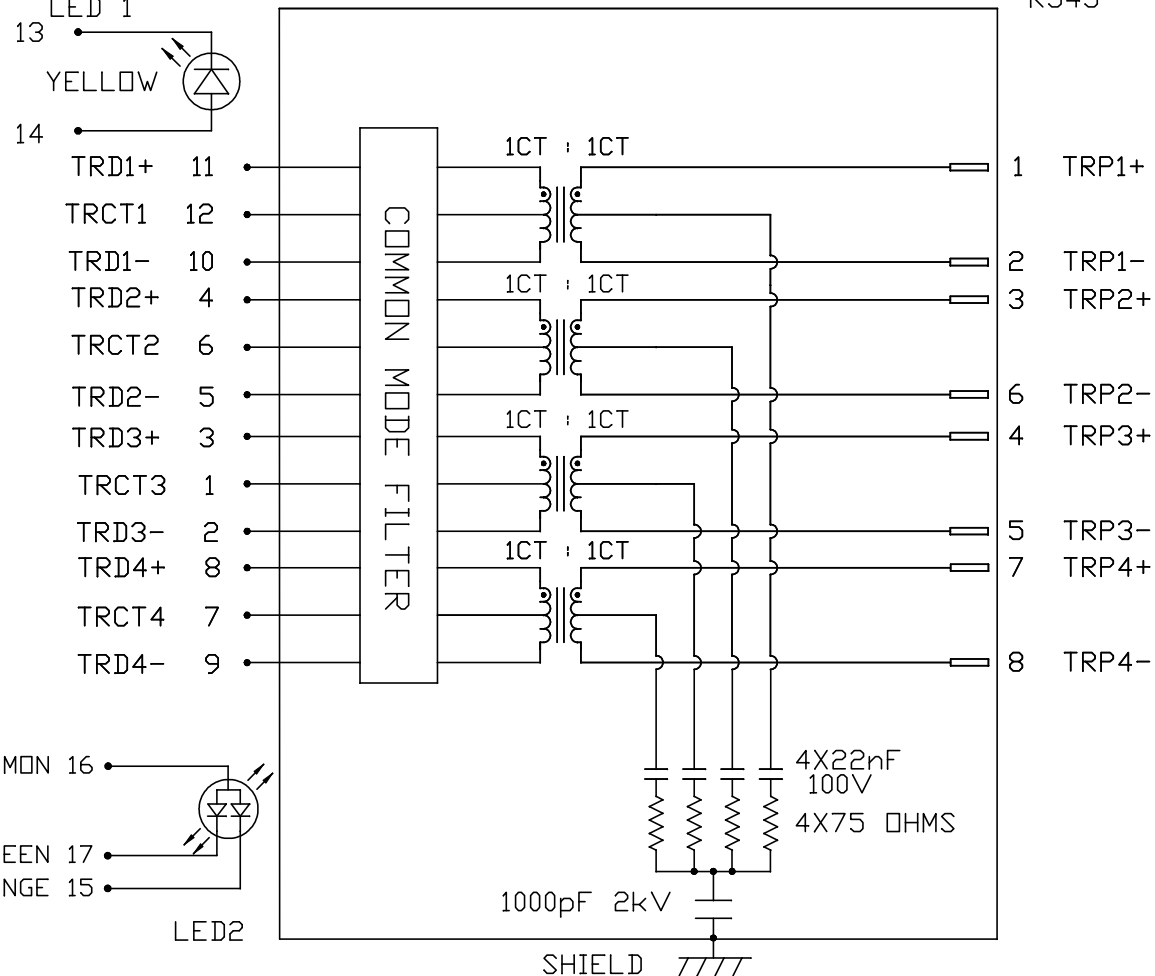
LED 2

VF (FORWARD VOLTAGE) IF=20mA GREEN 2.2V TYP.
ORANGE 2.0V TYP.
λD (DOMINANT WAVELENGTH) IF=20mA GREEN 570nm TYP.
ORANGE 605nm TYP.



SCHEMATIC

RJ45



ORIGINATED BY CHOW WANCHUNG	TITLE 2.5 Gigabit MagJack® (Ultra Low Profile) PATENTED
DATE 2015-12-23	
DRAWN BY MURPHY LEE	
DATE 2015-12-23	

PART NO. / DRAWING NO. L829-1J1T-JM	STANDARD DIM. TOL. IN INCH .X / .XX / .XXX	[] METRIC DIM. AS REF. UNIT : INCH [mm] SCALE : N/A SIZE : A4
FILE NAME L829-1J1T-JM_PA.DWG		

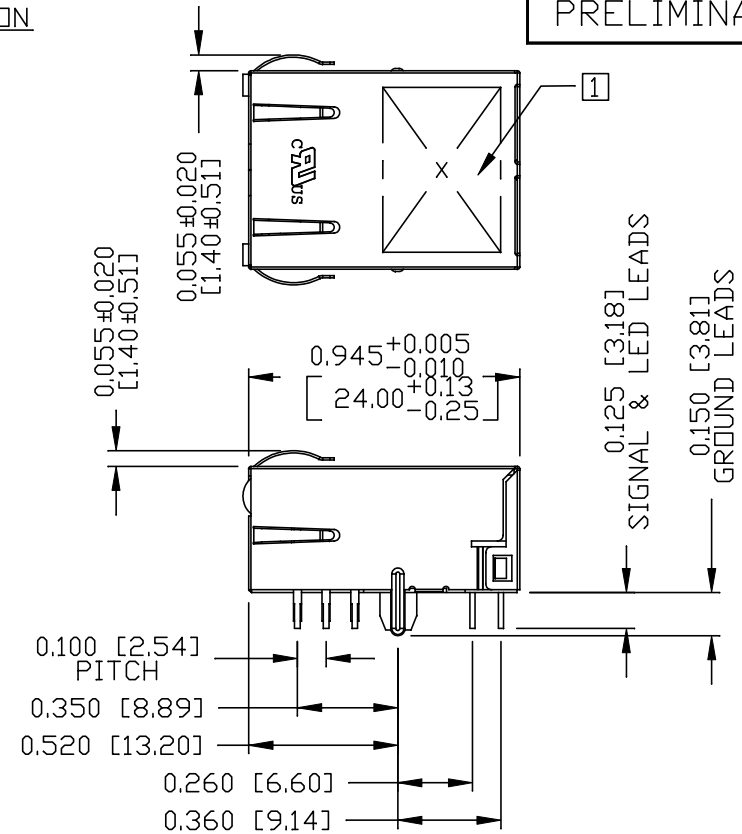
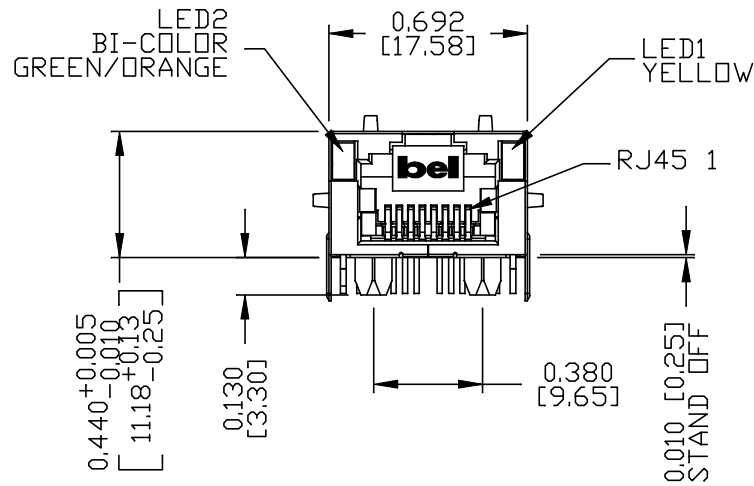
REV. : PA	PAGE : 2
------------------	-----------------

a bel group

THE INFORMATION CONTAINED HEREIN IS CONSIDERED "PROPRIETARY" TO BEL FUSE INC. AND SHALL NOT BE COPIED, REPRODUCED OR DISCLOSED WITHOUT THE WRITTEN APPROVAL OF BEL FUSE INC.

MECHANICAL SPECIFICATION

PRELIMINARY



NOTES:


- PLASTIC HOUSING: THERMOPLASTIC PA.
FLAMMABILITY RATING UL 94V-0
- CONTACTS: 30 MICRO-INCH HARD GOLD PLATING OR EQUIVALENT.
- OUTPUT PINS: TIN-COATED COPPER WIRE, DIA 0.018 INCH.
- METAL SHIELD: NICKEL PLATED ON COPPER ALLOY.
(ALL GROUND LEADS ARE SOLDER DIPPED)

- [1] MARK PART WITH MFG. LOGO, MFG. NAME, PART NUMBER, DATE CODE AND PATENTED.
- 2. THE PRODUCT IS RoHS COMPLIANT.
- 3. JACK CAVITY CONFORMS TO FCC RULES AND REGULATIONS, PART 68 SUBPART F.
- 4. THE PRODUCT IS PATENTED. THE PATENT NUMBER ARE U.S PAT. 7,123,117 AND U.S PAT. 6,840,817.

c UL RECOGNIZED - FILE #E196366 AND E169987.

ORIGINATED BY ANTON LIAO	TITLE 2.5 Gigabit MagJack® (Ultra Low Profile) PATENTED
DATE 2015-12-23	
DRAWN BY LIU DONGJUN	PART NO. / DRAWING NO. L829-1J1T-JM
DATE 2015-12-23	

FILE NAME L829-1J1T-JM_PA.DWG	STANDARD DIM. TOL. IN INCH	[] METRIC DIM. AS REF.
	.X	UNIT : INCH [mm]
	.XX	SCALE : N/A
	.XXX ±0.010	SIZE : A4

REV. : PA	PAGE : 3
 <p>bel MAGNETIC SOLUTIONS a bel group</p>	

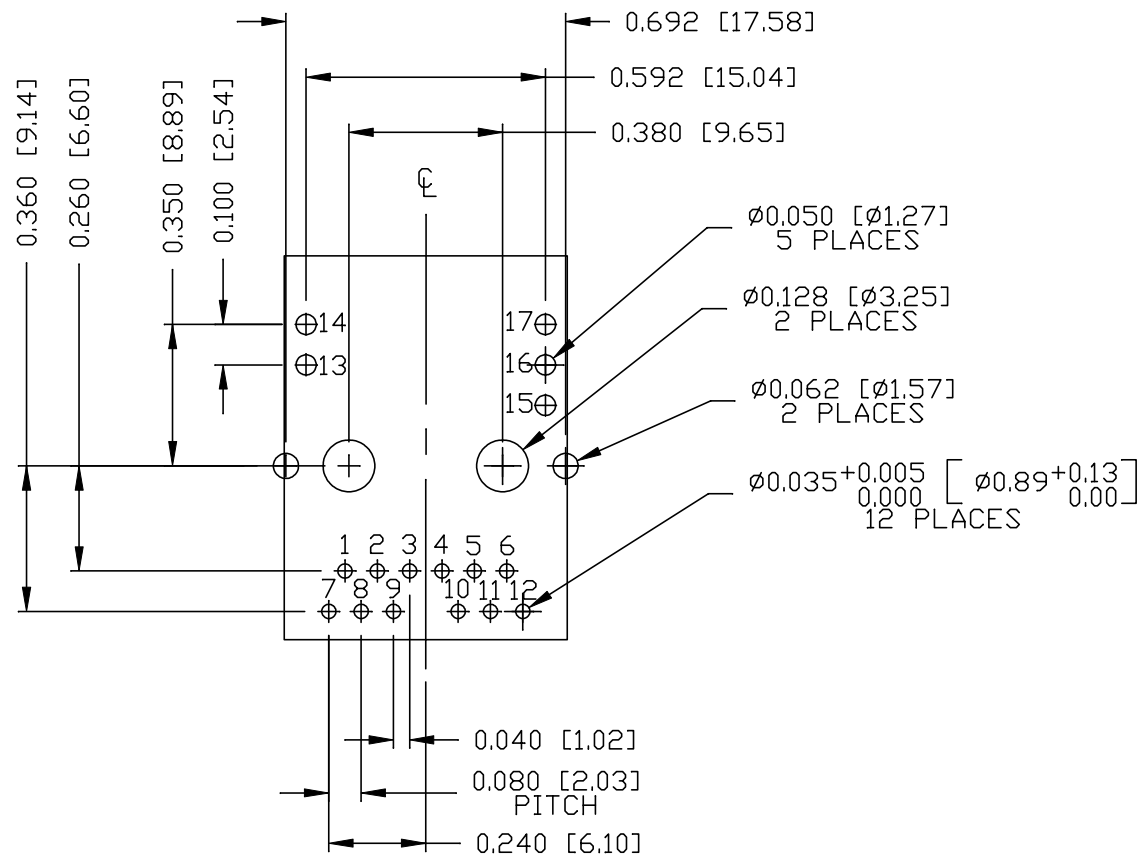
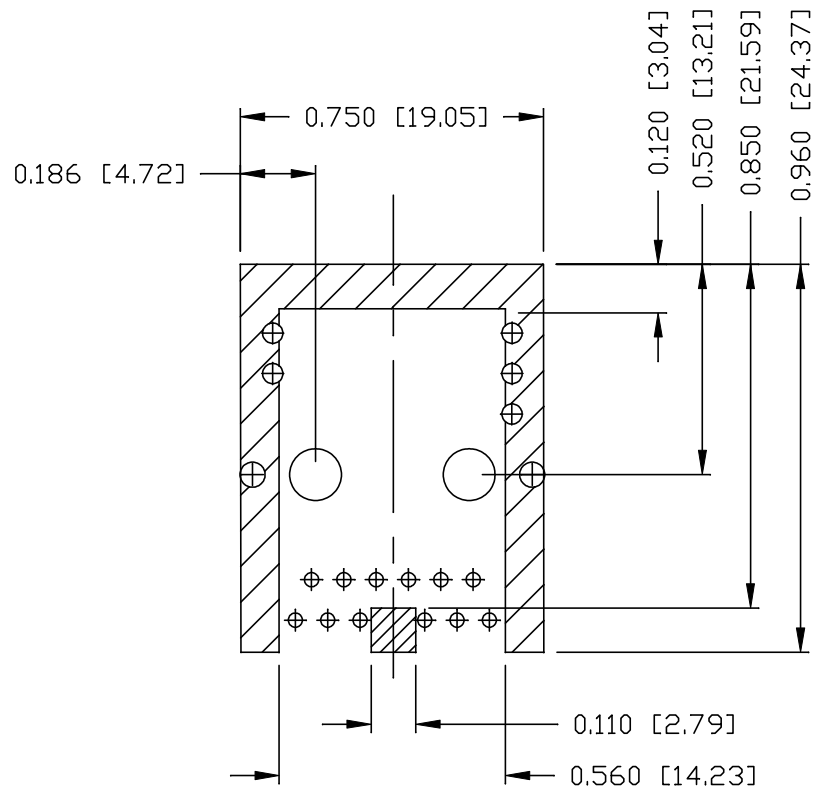
THE INFORMATION CONTAINED HEREIN IS CONSIDERED "PROPRIETARY" TO BEL FUSE INC. AND SHALL NOT BE COPIED, REPRODUCED OR DISCLOSED WITHOUT THE WRITTEN APPROVAL OF BEL FUSE INC.

PRELIMINARY

RoHS



RECOMMENDED PCB FOOTPRINT
COMPONENT SIDE VIEW



NOTES:

THE SHADED AREA ON THE CUSTOMER BOARD ARE RECOMMENDED TO BE CLEAR OFF ANY VIA HOLE OR COMPONENT PAD.

REV. : PA PAGE : 4

ORIGINATED BY
ANTON LIAO
DATE 2015-12-23
DRAWN BY
LIU DONGJUN
DATE 2015-12-23

TITLE
2.5 gigabit MagJack®
(Ultra Low Profile)
PATENTED

PART NO. / DRAWING NO.
L829-1J1T-JM
FILE NAME
L829-1J1T-JM_PA.DWG

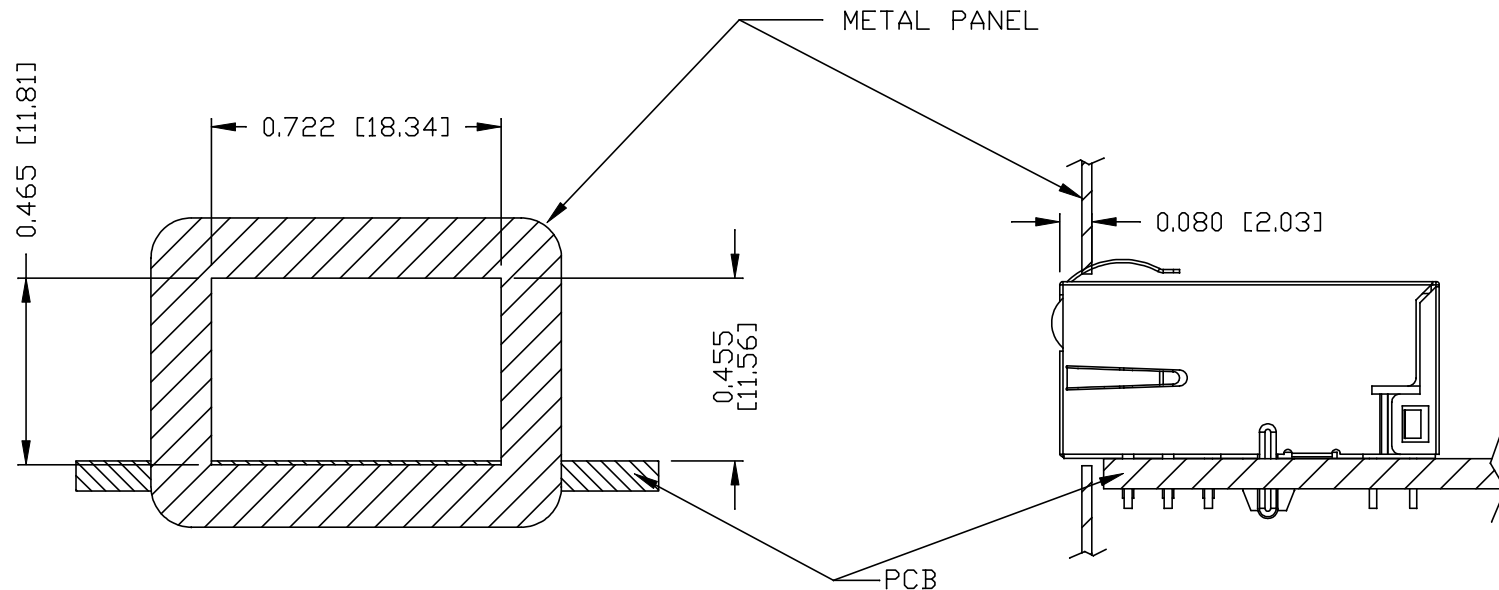
STANDARD DIM. TOL. IN INCH		[] METRIC DIM. AS REF.	
.X		UNIT : INCH [mm]	
.XX		SCALE : N/A	
.XXX	±0.004		SIZE : A4



THE INFORMATION CONTAINED HEREIN IS CONSIDERED "PROPRIETARY" TO BEL FUSE INC. AND SHALL NOT BE COPIED, REPRODUCED OR DISCLOSED WITHOUT THE WRITTEN APPROVAL OF BEL FUSE INC.

SUGGESTED PANEL OPENING

PRELIMINARY



NOTE:

THE DISTANCE OF PANEL INSIDE SURFACE RELATIVE TO FRONT SURFACE OF PART IS ONLY A SUGGESTION. IN CASE THIS DISTANCE IS DIFFERENT, THE REQUIRED PANEL OPENING DIMENSIONS CHANGE ACCORDINGLY.

TRAY PACKING INFORMATION

PACKING TRAY : 0200-9999-E4 (TOP)
0200-9999-E5 (BOTTOM)

PACKING QUANTITY : 60 PCS FINISHED GOODS PER TRAY
11 TRAYS (660 PCS FINISHED GOODS) PER CARTON BOX

NOTE : CARDBOARDS ARE PLACED BETWEEN LAYERS OF PACKING TRAY INSIDE CARTON BOX
(INCLUDE THE UPPERMOST AND LOWERMOST TRAY)

REV. : PA PAGE : 5

ORIGINATED BY ANTON LIAO DATE 2015-12-23	TITLE 2.5 gigabit MagJack® (Ultra Low Profile) PATENTED	PART NO. / DRAWING NO. L829-1J1T-JM	STANDARD DIM. TOL. IN INCH .X	<input type="checkbox"/> METRIC DIM. AS REF.
		FILE NAME L829-1J1T-JM_PA.DWG	UNIT : INCH [mm]	SCALE : N/A
DRAWN BY LIU DONGJUN DATE 2015-12-23			±0.004	<input checked="" type="checkbox"/> SIZE : A4

