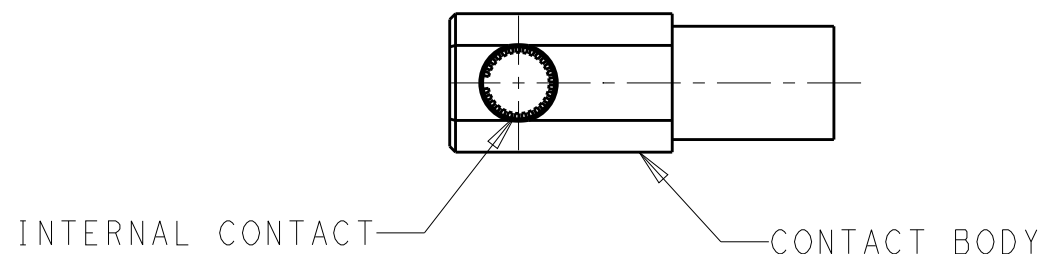
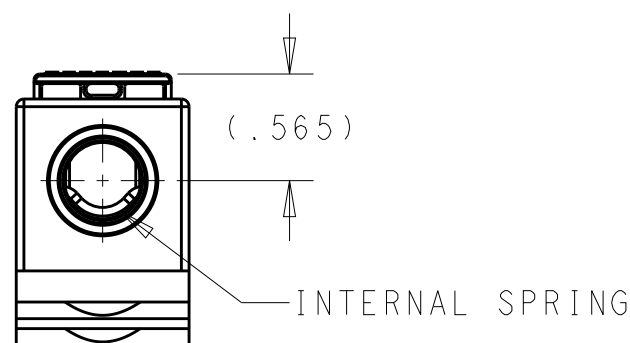
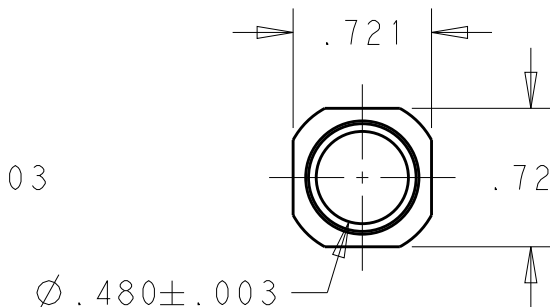
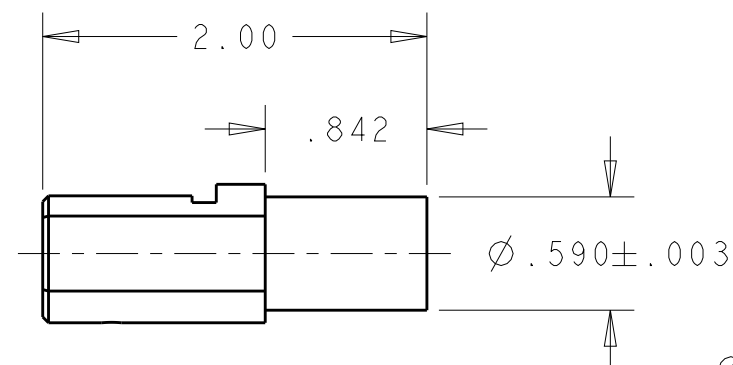
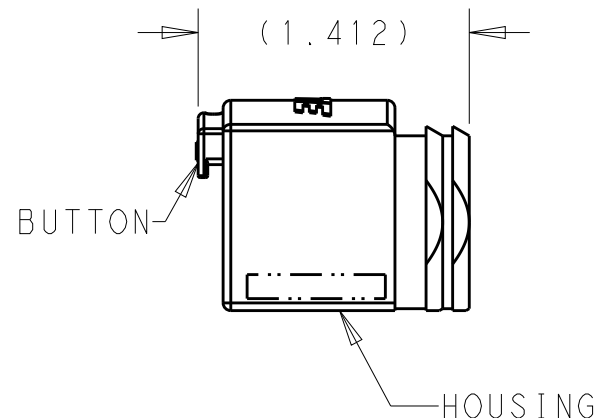
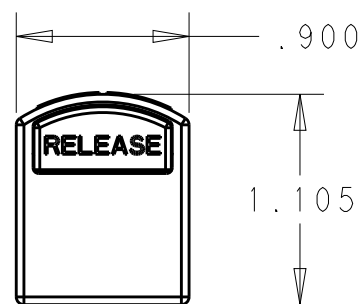
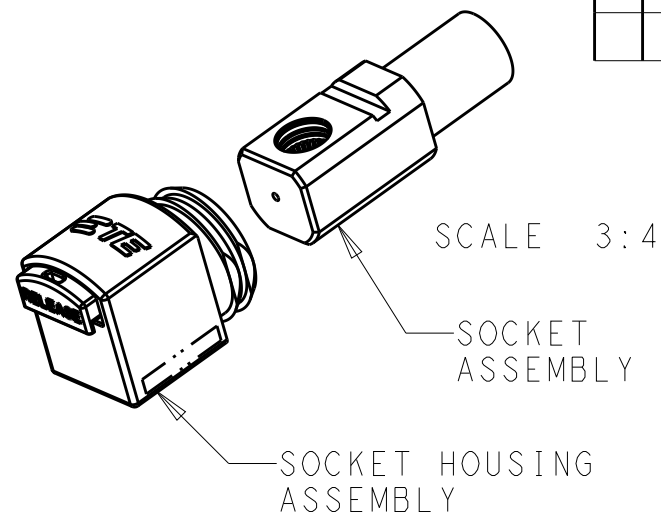



REVISIONS

P	LTR	DESCRIPTION	DATE	DWN	APVD
	B	REV PER ECO 17-001628	2-13-17	CT	PD

- 1 MATERIAL:
HOUSING: THERMOPLASTIC, COLOR: PER TABLE
BUTTON: THERMOPLASTIC, COLOR: BLACK
INTERNAL CONTACT AND CONTACT BODY: COPPER ALLOY
INTERNAL SPRING: STAINLESS STEEL
- 2 FINISH:
INTERNAL CONTACT: SILVER OVER NICKEL
CONTACT BODY: TIN OVER NICKEL
3. DO NOT ASSEMBLE SOCKET HOUSING ASSEMBLY ONTO SOCKET CONTACT ASSEMBLY UNTIL WIRE IS CRIMPED ONTO SOCKET CONTACT ASSEMBLY.
4. KIT WILL CONTAIN:
1 SOCKET ASSEMBLY
1 SOCKET HOUSING ASSEMBLY



BLACK	2226742-4
RED	2226742-3
BLUE	2226742-2
YELLOW	2226742-1
HOUSING COLOR	PART NUMBER

THIS DRAWING IS A CONTROLLED DOCUMENT.		DWN 16DEC2013 MCKIBBEN, JOHN	 TE Connectivity	
DIMENSIONS: INCHES		CHK 16DEC2013 OH, LAWRENCE		
TOLERANCES UNLESS OTHERWISE SPECIFIED:		APVD 16OCT2014 FUJIMOTO, JOHN	NAME KIT, SNAP-LUG, 1/0 - 2/0	
0 PLC ± 1 PLC ± 2 PLC ±.01 3 PLC ±.005 4 PLC ± ANGLES ±		PRODUCT SPEC 108-32083	RESTRICTED TO	
MATERIAL		APPLICATION SPEC 114-32130	SIZE A3	CAGE CODE 00779
FINISH		WEIGHT .143 lbs	DRAWING NO C-2226742	REV B
1		CUSTOMER DRAWING		SCALE 1:1
2		SHEET 1 OF 1		