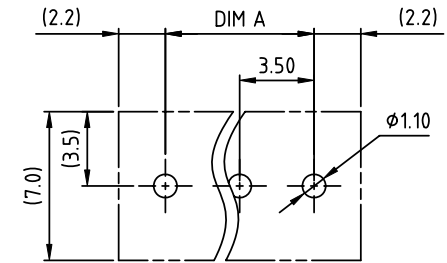
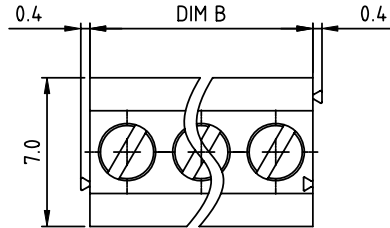
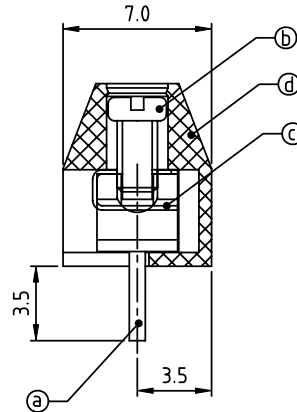
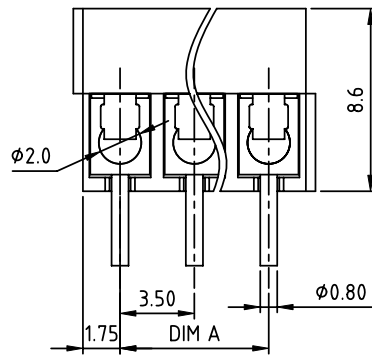


PRODUCT NUMBER	PITCH
T5xx01x000J0G	3.50 mm



RECOMMENDED P.C.B LAYOUT
TOP VIEW



Material:

- Item (a) Terminal body(metal housing): Brass(CuZn),Tin plated
- Item (b) Terminal screw: Steel Zinc plating "-" slot type
- Item (c) Wire guard: Stainless steel
- Item (d) Insulator (housing):Thermoplastic (UL94 V-0)

Electrical cULus

- Voltage rating: 125VAC
- Current rating: 10A
- Wire range:
- Solid wire(AWG): 16-26
- Stranded wire(AWG): 16-26
- Torque(Lb-In): 1.7
- Screw: M2
- Wire strip length: 5-6mm
- Withstanding Voltage: 1.25KV
- Operating temperature: -40°C to +115°C
- Soldering temperature: 260°C±5°C/5 Sec
- Safety Approval: cULus

N = Number of poles
Dim A = (N-1) X 3.5
Dim B = N x 3.5

Poles	Tolerance
2P	±0.10
3-6p	±0.15
7-12p	±0.20
13-18p	±0.30
19-24p	±0.40

PART NO.: T5 xx 01 x 0 00J0 G

Body Color		RoHS compliant (lead<4%) In copper Alloy
Solid block	0 Black (RAL9005)	
No. of poles	2 Red (RAL3001/D)	
02 2 poles	3 Orange(RAL2011/P)	
03 3 poles	4 Yellow(RAL1018/A)	
...	5 Green(RAL6018/T)	
24 24 poles	6 Blue (RAL5015/A)	
	8 Grey(RAL7035/D)	
	9 White(RAL1102)	
	C Green(RAL6018/U)	

mat'l. code		surface ASME Y14.5	tolerance ASME Y14.5	projection	product family TERMINAL BLOCK
ltr	ecn no	dr	date	tolerances unless otherwise specified	title TERMINAL BLOCK
				angles ϕ X±0.5	scale MM
				dr	WIRE PROTECTOR,180D WIRE INLET,SOLID BLOCK
				enr	EVIN ZHONG 033114
				chr	HANKE FENG 033114
				appd	SHI JUN 033114
sheet index	revision	A		FCI	dwg no T5xx01x000J0G
	sheet	1			sheet 1 of 1
					type CUSTOMER Drawing