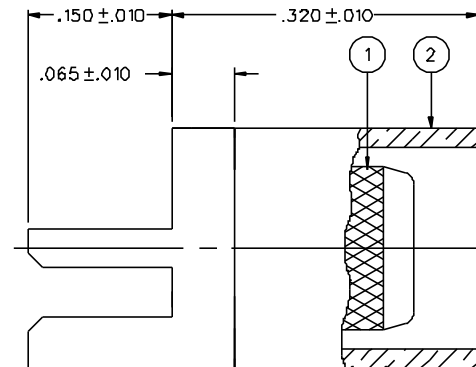
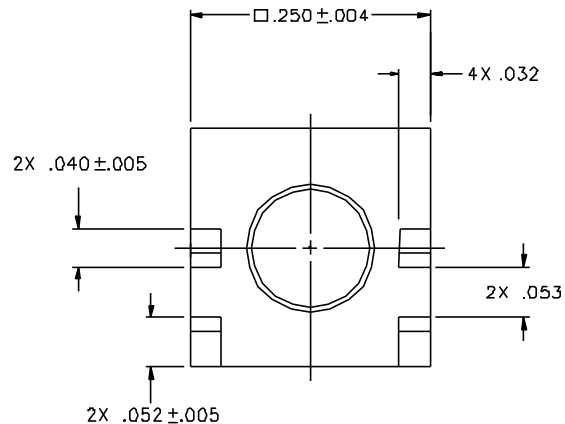
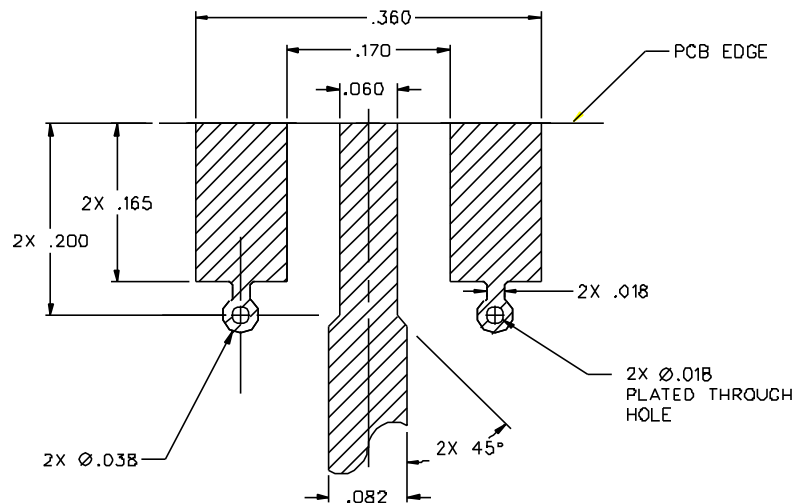


PART NUMBER	ITEM ① BODY	ITEM ② CRIMP SLEEVE
142-0008-811	BRASS GOLD PL .00001 MIN OVER NICKEL PL .00005 MIN OVER COPPER PL .00005 MIN	COPPER GOLD PL .00001 MIN OVER NICKEL PL .00005 MIN OVER COPPER PL .00005 MIN
142-0008-816	BRASS NICKEL PL .0001 MIN OVER COPPER PL .00005 MIN	COPPER NICKEL PL .0001 MIN OVER COPPER PL .00005 MIN

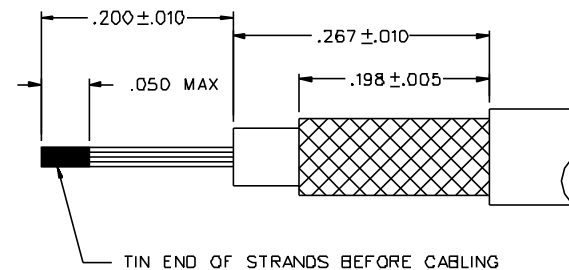
DRAWING NO. C - 142-0008-811/820	
0	REVISIONS
ENGINEERING RELEASE	
1	9-9-98 R H K T R ECN 45829



DIMENSIONS ARE SYMMETRICAL ABOUT THE CENTERLINE



TRACE WIDTH DIMENSIONS



CABLE STRIP DIMENSIONS

CUSTOMER DRAWING

THIS DRAWING TO BE INTERPRETED PER ANSI Y 14.5M - 1982

"μSTATION"

COMPANY CONFIDENTIAL

NOTES:

1. SPECIFICATIONS:

CABLE ACCEPTABILITY: RG 142/U, RG 55/U, RG 223/U, RG 400/U
 CABLE HEX CRIMP SIZE: .213
 CABLE RETENTION: 45 LBS OR CABLE BREAKING STRENGTH
 IMPEDANCE: 50 OHMS

TOLERANCE UNLESS OTHERWISE SPECIFIED	DRAWN BY	DATE	JOHNSON® <small>Cinch Connectivity Solutions 299 Johnson Ave. Ste. 100 Waseca, MN 56093 1-800-247-8256</small>	
DECIMALS	KAS	5/19/98	TITLE	CABLE TERMINATION, .053 END LAUNCH, RG 142
.XX	CHECKED BY	DATE		
.XXX ± .003	KAS	9-11-98	APPROVED BY	
MATL	TAK	9-17-98	APPROVED BY	
FINISH	RJB	9-24-98	RELEASE DATE	
			CODE NO.	DRAWING NO.
			C - 142-0008-811/820	C - 142-0008-811/820
			SCALE 10:1	U/M INCH SHEET 2 OF 2