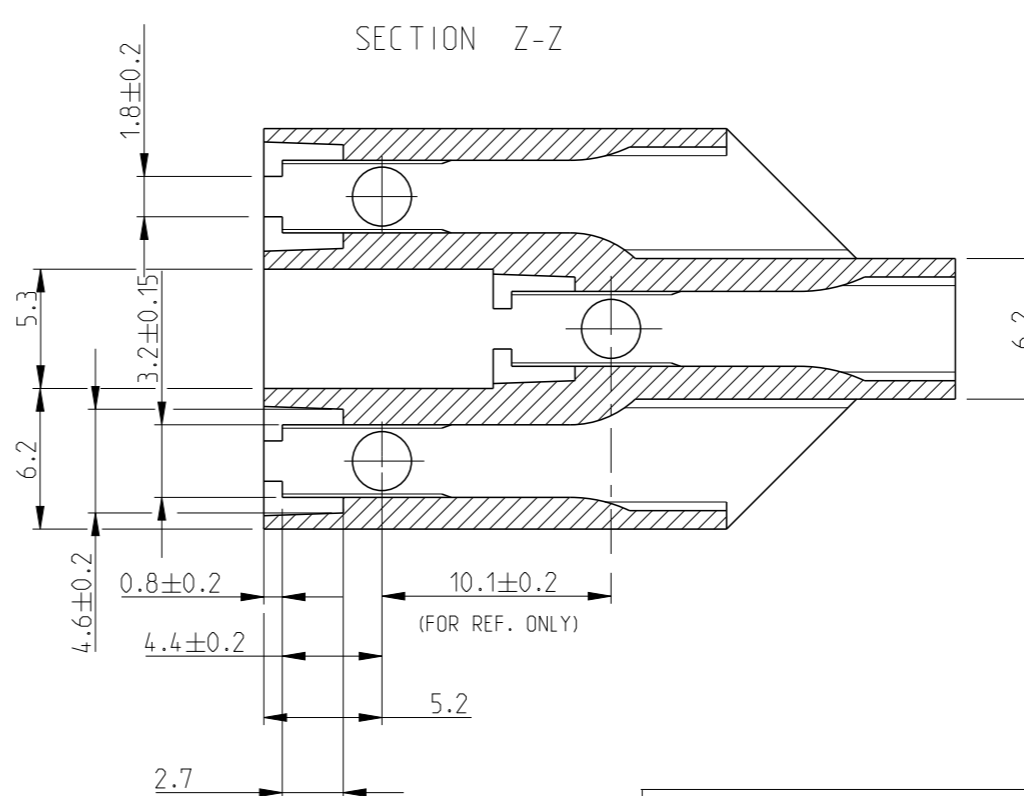
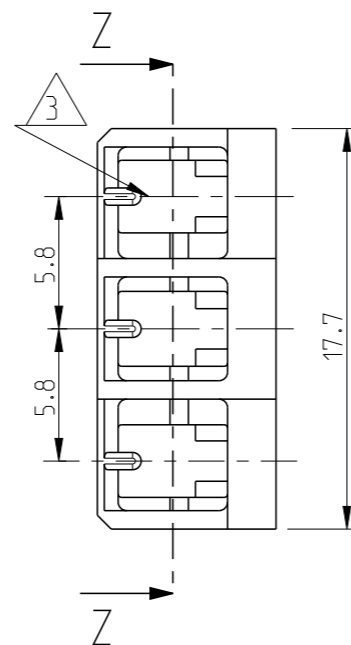
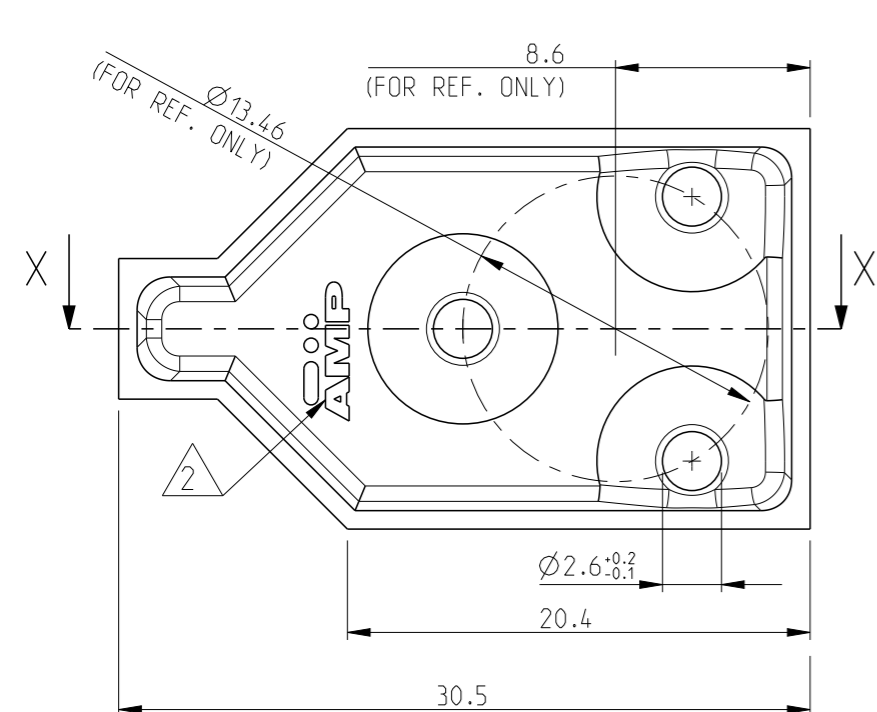
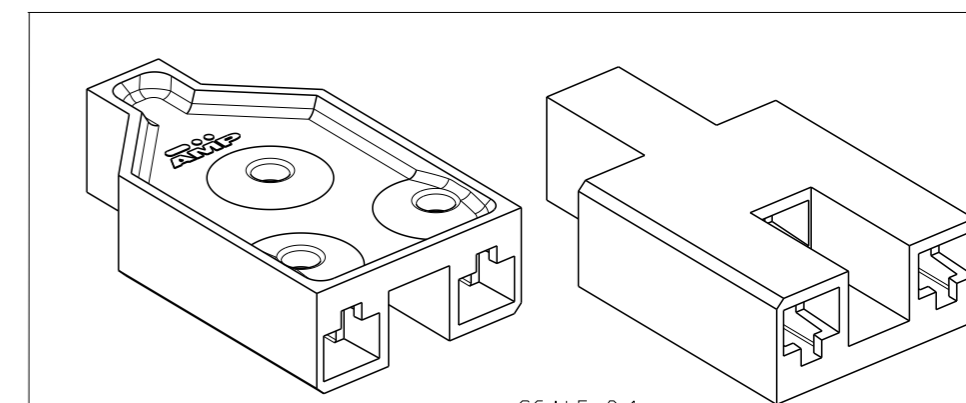
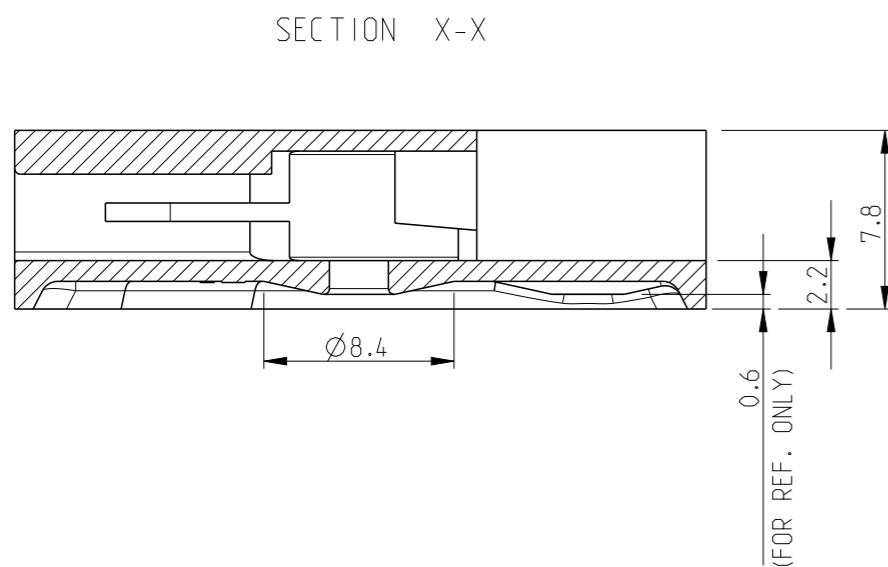


P	LTR	DESCRIPTION	DATE	DWN	APVD
	A3	REVISED AS PER ECR-14-018786	16DEC2014	MKD	RRP



- NOTES
- 1 MATERIAL PA-6, GWT 750°C NF ACC.DIN EN 60695-2-11
 - 2 TRADE MARK
 - 3 3 TYPICAL CAVITIES FOR REC. TRERMINAL TE P/N 62131-3
 - 4 MATERIAL PA6 GF, GWT 750°C NF ACC.DIN EN 60695-2-11 & UL 94 V0
 - 5 MATERIAL PA66 GF, GWT 750°C NF ACC.DIN EN 60695-2-11 & UL 94 V0
 - 6 PRELIMINARY PART



SCALE 2:1

NATURAL	5	3POS CLUSTER BLOCK HOUSING	0-1955415-3	6	3
NATURAL	4	3POS CLUSTER BLOCK HOUSING	0-1955415-2	6	2
NATURAL	1	3POS CLUSTER BLOCK HOUSING	0-1955415-1		1
COLOUR	MATERIAL	DESCRIPTION	PART No	SL No	

THIS DRAWING IS A CONTROLLED DOCUMENT.		DWN Chethan.J 13-May-2009	TE Connectivity			
DIMENSIONS: mm		CHK Rajendra 13-May-2009				
TOLERANCES UNLESS OTHERWISE SPECIFIED:		APVD M.Westen 13-May-2009				
		PRODUCT SPEC -				
MATERIAL SEE TABLE		FINISH -	NAME 3POS CLUSTER BLOCK HOUSING			
		WEIGHT -	SIZE A3	CAGE CODE -	DRAWING NO C-1955415	RESTRICTED TO -
		Customer Drawing	SCALE 3:1	SHEET 1 OF 1	REV A3	