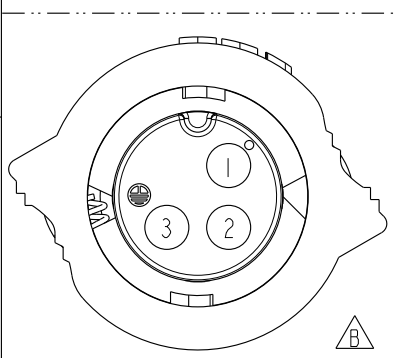
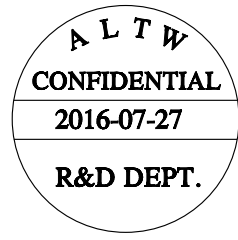
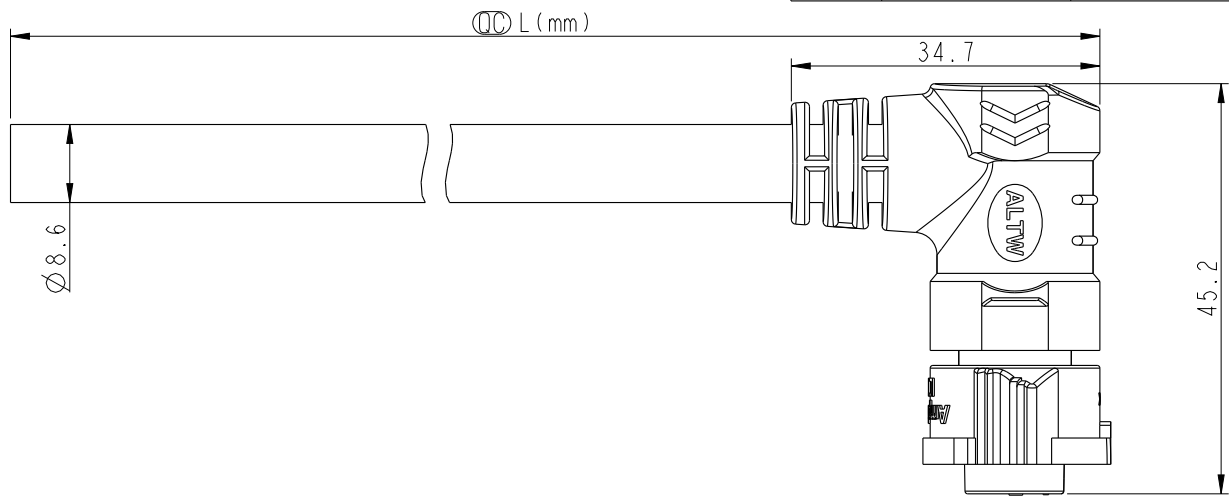


THIS DOCUMENT IS SUBJECT TO CHANGE WITHOUT NOTICE. IT IS CONFIDENTIAL AND A PROPERTY OF AMPHENOL LTW. DISCLOSURE TO THIRD PARTY HAS TO BE AUTHORIZED BY AMPHENOL LTW.

REV.	ECN NO.	DATE	SIGN	DESCRIPTION
B	LE31680194	2016-07-27	Tom Gu	Change Part No. of Half Finished



3	Green	綠
2	White	白
1	Black	黑
Conn.	Wire Color	
	Pin Out	

BB-03AFFM-QR8EXX

- XX : 01~99Meters
- 01 : 01Meter
- 02 : 02Meters
- ...
- 99 : 99Meters

Note:

- * \varnothing Important Dimension To Check.
- * Waterproof Rate: IP68(Mated)
(In 1 meter water within 24 hours)
- * Working Voltage Rating: AC 300 V
- * Working Current Rating: 10A
- * Housing: Nylon+GF, Black.
- * Female Pin: Copper Alloy, Gold Plated.
- * Rubber: Silicon, Gray
- * Cable: SJTW 16AWG*3C + Filler
PVC Jacket UV Resistant, OD=8.6, Black.
- * Cable Length Tolerance: 01M:±40mm
02M~05M:±60mm
06M~10M:±100mm
11M~30M:±200mm
31M~99M:±500mm

UNIT:mm	
TOLERANCE	±0.5

TITLE X-Lok B-Size (power) Molding F Conn F 3 Pin			
SCALE 6:5	SIZE A4	SHEET 1	OF 1
REV. B	WC-REV. A.1	\varnothing : Inspection item	

Amphenol LTW
安費諾亮泰企業股份有限公司

ITEM NO	DRAWN BY Tom Gu	DATE 2016-07-27
DWG NO BB-03AFFM-QR8EXX	CHECKED BY Spring Liu	DATE 2016-07-27
CUSTOMER ALTW	APPROVED BY Kevin Hu	DATE 2016-07-27