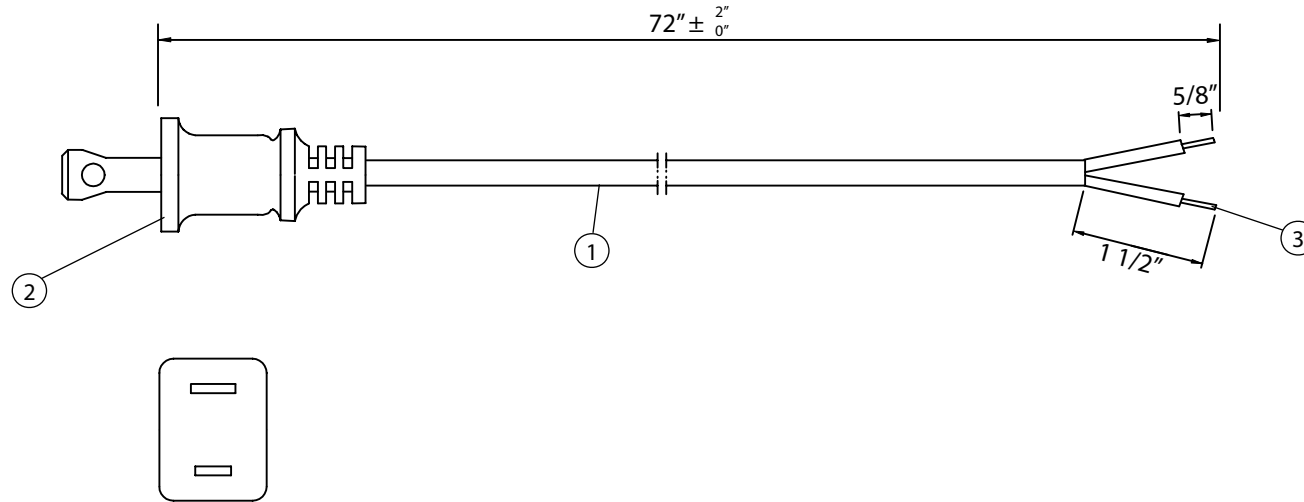


THESE DRAWINGS ARE THE PROPERTY OF QUALTEK ELECTRONICS AND NOT TO BE REPRODUCED FOR OR COMMUNICATED TO A THIRD PARTY WITHOUT THE EXPRESS WRITTEN PERMISSION OF AN OFFICER OF QUALTEK ELECTRONICS.

REVISION			
REV.	DESCRIPTION	DATE	APPROVED
B	RoHS Compliancy	06-01-06	DP



NOTES:

1. CORDAGE: SPT-1, 18AWG / 2C, UNSHIELDED, NA COLOR CODE, TEMP. RATING 60°C, RATING: 125V 10A, JACKET COLOR: WHITE
2. PLUG: 1-15P POLARIZED
3. OTHER END: SPLIT 1 1/2", STRIP 5/8"
4. APPROVALS: UL, cUL
5. ROHS COMPLIANT

CONTROLLED

Dim range (mm)	Tolerance +/- (mm)	Qualtek Electronics Corp. PPC DIVISION		
		Part Number:	221001-08	RoHS Compliant
0-1	0.15	Description: POWER CORD		
1-6	0.20			
6-18	0.30	UNIT: in	REV.B	
18-50	0.50	Drawn / Date	Checked / Date	Approved / Date
50-120	0.70	B.ZHANG 09-14-04	09-14-04	JJH / 09-14-04
120-250	0.90			
250-500	1.20			